



CIAT - SALSA Cassette air conditioner

SALSA 36HVT Cassette air conditioner

Features

- Infra-red controller as standard (wired available).
- Louvre position memory.
- Drain pump up to 750 mm.
- Full Wi-Fi compatibility.
- 360° air distribution.
- Fresh air intake and fan compatible.



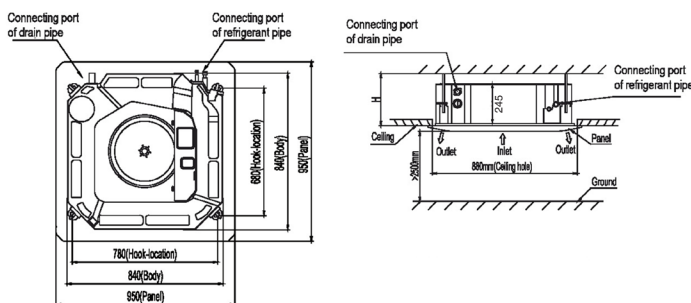
Technical Data

Model reference		SALSA - Cassette 36HVT	
Indoor unit		42HK36VSC	
Indoor unit panel		40CAS-L9	
Outdoor unit		38HU36VTC	
Cooling capacity	Min./nom./max.	kW	3.80/10.20/11.50
Heating capacity*	Min./nom./max.	kW	2.90/11.30/13.80
	@ -7 °C	kW	9.60
	@ -10 °C	kW	8.20
	@ -15 °C	kW	8.10
SEER		W/W	5.9
SCOP	Warmer/average	W/W	4.0/5.0
Energy label	SEER		A+
	SCOP warmer/average		A+/A++
Rated current		A	12
Rated input		kW	4.80
Power supply		V/ph/Hz	380-415/3/50
Power to			Both
Interconnecting			2
Refrigerant amount	R410A	kg	3.65
Liquid side - gas side		inch	3/8 - 5/8
Standard piping length	Min./max. piping length	m	3/50
	Max. height difference	m	25
	Additional charge	g/m	30
Indoor unit		42HK36VSC	
Sound power level**		dB(A)	65
Sound pressure level**	High/med./low	dB(A)	53/51/48
Air flow	High/med./low	m ³ /h	1800/1600/1400
Weight	Body	kg	27.5/31.5
	Panel	kg	5.0/8.0
Dimension	Body W x D x H	mm	840 x 840 x 245
	Panel W x D x H	mm	950 x 950 x 55

* -7 °C/-10 °C/-15 °C heating at free frequency

** Sound data in cooling mode

Dimensional Drawings



Cool Designs Ltd

Raising the Standards in Air Conditioning Distribution

www.cdlweb.info





CIAT - SALSA Cassette air conditioner

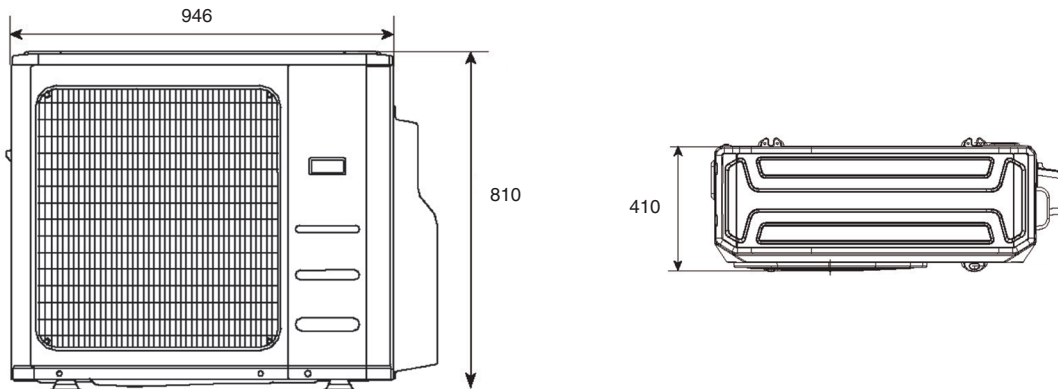
SALSA 36HVT
Cassette air conditioner



Outdoor unit			38HU36VTC
Sound power level**		dB(A)	70
Sound pressure level**		dB(A)	64
Air flow		m ³ /h	4150
Weight		kg	85.3/91.0
Dimension	W x D x H	mm	946 x 410 x 810

** Sound data in cooling mode

Dimensional Drawings



Accessories

Description	Part Number
Wired remote control for LC range - KJR-12- G2	7511630
Centralised wired remote control for LC range connectable up to 64 units - CCM-30	7511631

Split-system unit ratings are based on the following conditions:

Cooling capacities: Indoor air temperature 27°C (DB)/19°C (WB) - Outdoor air temperature 35°C (DB)/24°C (WB)

Heating capacities: Indoor air temperature 20°C (DB)/15°C (WB) - Outdoor air temperature 7°C (DB)/6°C (WB)

Cool Designs Ltd

Raising the Standards in Air Conditioning Distribution

www.cdlweb.info

