



CIAT - SALSA Cassette air conditioner

SALSA 12HV Cassette air conditioner

Features

- Infra-red controller as standard (wired available).
- Louvre position memory.
- Drain pump up to 750 mm.
- Full Wi-Fi compatibility.
- 360° air distribution.
- Fresh air intake and fan compatible.



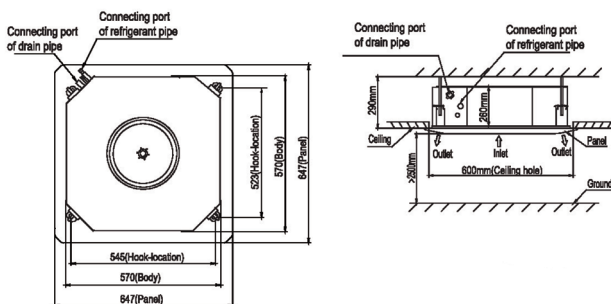
Technical Data

Model reference		SALSA - Cassette 12HV	
Indoor unit		42HK12VSC	
Indoor unit panel		40CAS-C6	
Outdoor unit		38HU12VSC	
Cooling capacity	Min./nom./max.	kW	1.40/3.52/3.90
Heating capacity*	Min./nom./max.	kW	1.20/4.00/4.20
	@ -7 °C	kW	2.70
	@ -10 °C	kW	2.70
	@ -15 °C	kW	2.40
SEER		W/W	6.2
SCOP	Warmer/average	W/W	4.1/5.1
Energy label	SEER		A++
	SCOP warmer/average		A+/A+++
Rated current		A	10
Rated input		kW	2.30
Power supply		V/ph/Hz	220-240/1/50
Power to			Outdoor
Interconnecting			5
Refrigerant amount	R410A	kg	1.05
Liquid side - gas side		inch	1/4 - 3/8
Standard piping length	Min./max. piping length	m	3/25
	Max. height difference	m	10
	Additional charge	g/m	15
Indoor unit			42HK12VSC
Sound power level**		dB(A)	59
Sound pressure level**	High/med./low	dB(A)	42/39/36
Air flow	High/med./low	m ³ /h	560/430/391
Weight	Body	kg	16.5/19.0
	Panel	kg	2.5/4.5
Dimension	Body W x D x H	mm	570 x 570 x 260
	Panel W x D x H	mm	647 x 647 x 50

* -7 °C/-10 °C/-15 °C heating at free frequency

** Sound data in cooling mode

Dimensional Drawings



Cool Designs Ltd

Raising the Standards in Air Conditioning Distribution

www.cdlweb.info





CIAT - SALSA Cassette air conditioner

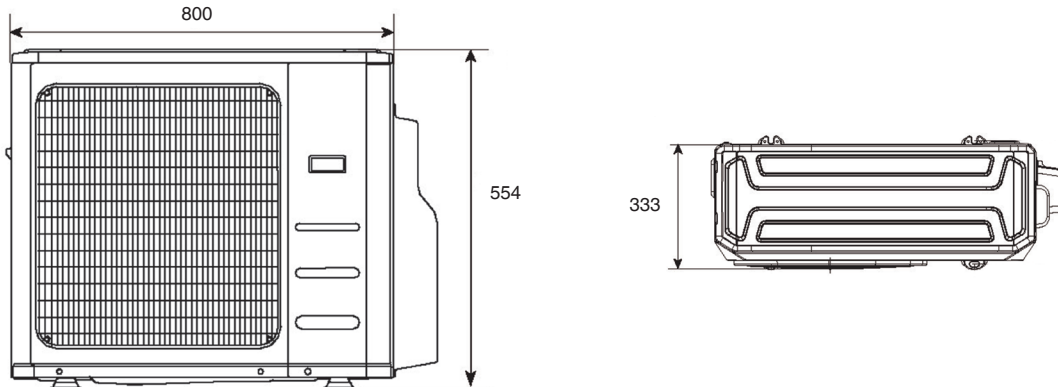
SALSA 12HV
Cassette air conditioner



Outdoor unit			38HU12VSC
Sound power level**		dB(A)	65
Sound pressure level**		dB(A)	56
Air flow		m ³ /h	2100
Weight		kg	28.5/31.5
Dimension	W x D x H	mm	800 x 333 x 554

** Sound data in cooling mode

Dimensional Drawings



Accessories

Description	Part Number
Wired remote control for LC range - KJR-12- G2	7511630
Centralised wired remote control for LC range connectable up to 64 units - CCM-30	7511631

Split-system unit ratings are based on the following conditions:

Cooling capacities: Indoor air temperature 27°C (DB)/19°C (WB) - Outdoor air temperature 35°C (DB)/24°C (WB)

Heating capacities: Indoor air temperature 20°C (DB)/15°C (WB) - Outdoor air temperature 7°C (DB)/6°C (WB)

Cool Designs Ltd

Raising the Standards in Air Conditioning Distribution

www.cdlweb.info

