

Toshiba Air Conditioning - RAV-SP Data Sheet

RAV-SP1104AT-E Outdoor Unit

Features

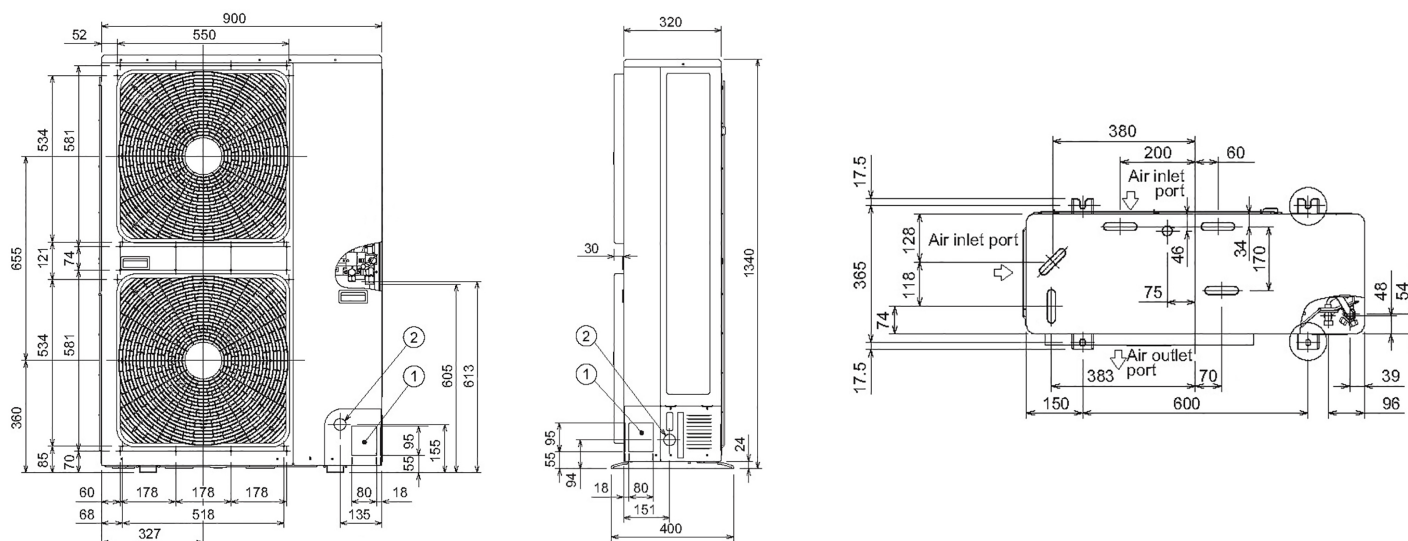
- R22 and R407C replacement technology
- Wide operating range (cooling mode -15°C to +43°C)
- Extended pipe runs up to 75 m (1104/1404)
- Flexible, can be utilised for single, twin, triple indoor applications
- Increased energy efficiency/cost saving



Technical Data

Model reference		RAV-SP1104AT-E
Nominal cooling	kW	10.0
Nominal heating	kW	11.2
Standard air flow	m ³ /h	6060
Standard air flow	l/s	1683
Sound power (cool/heat)	dB(A)	66/67
Sound pressure (cool/heat)	dB(A)	49/50
Dimensions (H x W x D)	mm	1340 x 900 x 320
Unit weight	kg	93
Power supply	V-ph-Hz	220/240-1-50
Interconnecting cable		3 core + earth
Suggested fuse size	A	16
Maximum operating current (cooling)	A	11.24
Operating range, cooling	°C	-15 to 43
Operating range, heating	°C	-20 to 15
Pipe sizes (liquid-suction)	inch	3/8-5/8
Minimum/maximum pipe length	m	5/75
Maximum height difference	m	30
Pre-charge pipe length	m	30
Additional R410A refrigerant - factory charge	g/m - kg	40 - 3.1

Dimensional Drawings



Cool Designs Ltd

Raising the Standards in Air Conditioning Distribution

www.cdlweb.info

