

## Toshiba Air Conditioning - RAV-SM Data Sheet

### RAV-SM304ATP-E Outdoor Unit

#### Features

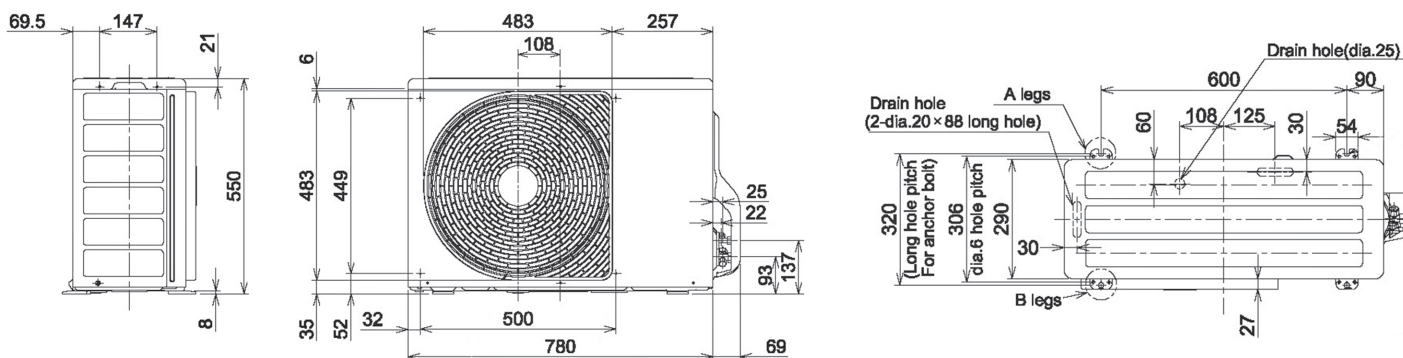
- R22 and R407C replacement technology
- Wide operating range (cooling mode -15°C to +46°C)
- Auto-diagnostic function
- Flexible, can be utilised for single, twin, triple indoor applications
- Compact size



#### Technical Data

Model reference		RAV-SM304ATP-E
Nominal cooling	kW	2.5
Nominal heating	kW	3.4
Standard air flow	m <sup>3</sup> /h	1800
Standard air flow	l/s	500
Sound power (cool/heat)	dB(A)	61/62
Sound pressure (cool/heat)	dB(A)	46/47
Dimensions (H x W x D)	mm	550 x 780 x 290
Unit weight	kg	33
Power supply	V-ph-Hz	220/240-1-50/60
Interconnecting cable		3 core + earth
Suggested fuse size	A	10
Maximum operating current (cooling)	A	8.5
Operating range, cooling	°C	-15 to 46
Operating range, heating	°C	-15 to 24
Pipe sizes (liquid-suction)	inch	1/4-3/8
Minimum/maximum pipe length	m	2/20
Maximum height difference	m	10
Pre-charge pipe length	m	15
Additional R410A refrigerant - factory charge	g/m - kg	20 - 0.8

#### Dimensional Drawings



Cool Designs Ltd

Raising the Standards in Air Conditioning Distribution

www.cdlweb.info

