



CIAT - Outdoor condensing unit

38HM27VSC

Multi-split system outdoor condensing unit

Features

- Suitable for 3 indoor units off a single outdoor.
- Infra-red remote control as standard.
- Individual control for each indoor unit.
- Mixed capacities available on outdoor units.
- Up to 130% connected capacity available.
- Automatic correction of wiring crossover.



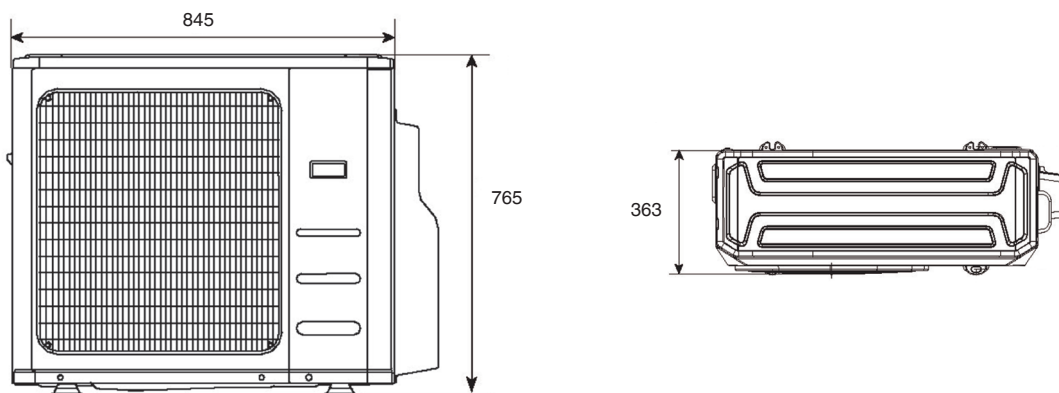
Technical Data

Model reference			3-way multi-split system	
Outdoor unit			38HM27VSC	
Indoor unit type			High-wall	Console
Indoor unit			42HV09VSC x 3	42HC09VSC x 3
Cooling capacity	Nom.	kW	7.92	7.92
Heating capacity	Nom.	kW	8.20	8.20
SEER/SCOP		W/W	6.10/4.00	6.10/4.00
Energy label	SEER		A++	A++
	SCOP Average		A+	A+
Rated current		A	16	16
Rated input		kW	3.30	3.30
Power supply		V/ph/Hz	220-240/1/50	220-240/1/50
Refrigerant amount	R410A	kg	2.10	2.10
Liquid side - gas side		inch	1/4 - 3/8	1/4 - 3/8
Max. piping length	Total/indoor unit	m	60/30	60/30
Max. height difference	Indoor to outdoor	m	15	15
Max. height difference	Between 2 indoors	m	10	10
Sound power/pressure level*		dB(A)	68/61	68/61
Air flow		m ³ /h	2700	2700
Weight		kg	53	53
Dimension	W x D x H	mm	845 x 363 x 765	845 x 363 x 765

* Sound data in cooling mode

High-Wall and Console unit specifications shown as examples, but there are also Cassette and Ducted unit options available.

Dimensional Drawings



Cool Designs Ltd

Raising the Standards in Air Conditioning Distribution

www.cdlweb.info





CIAT - Outdoor condensing unit

38HM27VSC

Multi-split system outdoor condensing unit

The multi-split system allows the ability to utilise different styles and capacity of units to be connected to a single outdoor unit to maximise flexibility.



Indoor unit	Model number	Size	Approx. kW
Mambo console	42HC09VSC	9k	2.6
	42HC12VSC	12k	3.5
	42HC18VSC	18k	4.4
Stella high-wall	42HV09VSC	9k	2.7
	42HV12VSC	12k	3.5
	42HV18VSC	18k	5.3
	42HV22VSC	24k	6.4
Salsa cassette	42HK09VSC	9k	2.6
	42HK12VSC	12k	3.5
	42HK18VSC	18k	5.0
	42HK24VSC	24k	7.0
Twist ducted	42HY12VSC	12k	3.5
	42HY18VSC	18k	5.0
	42HY24VSC	24k	7.0

Note: kW capacity varies depending on total connected capacity.



Mambo console



Stella high-wall



Salsa cassette



Twist ducted

Possible System Combinations

MULTI-SPLIT 3 INDOOR UNITS				
1 x indoor unit	2 x indoor unit		3 x indoor unit	
9	9+9	12+12	9+9+9	9+12+12
12	9+12	12+18	9+9+12	12+12+12
18	9+18	18+18	9+9+18	

Note:

- The capacity is tested with standard 9K indoor unit as below:
 18K condensing unit + 2 x 9K indoor units
 27K condensing unit + 3 x 9K indoor units
 36K condensing unit + 4 x 9K indoor units
 42K condensing unit + 5 x 9K indoor units
- 18K indoor units should apply 1/2" gas pipe with one additional adapter 3/8"-1/2" required in condensing unit.
- 24K indoor units should apply 3/8" liquid pipe with one additional adapter 1/4"-3/8" required in indoor units, and apply 5/8" gas pipe with one additional adapter 1/2"-5/8" in condensing unit.

Cool Designs Ltd

Raising the Standards in Air Conditioning Distribution

www.cdlweb.info

