



CIAT - MAMBO Universal air conditioner

MAMBO Ceiling 60HVT Universal air conditioner

Features

- Infra-red controller as standard (wired available).
- Full Wi-Fi compatibility.
- Can be installed vertically or horizontally.
- Fresh air connection.
- Easy access from inside the grille.
- 3D air flow meaning air intake from bottom or rear.



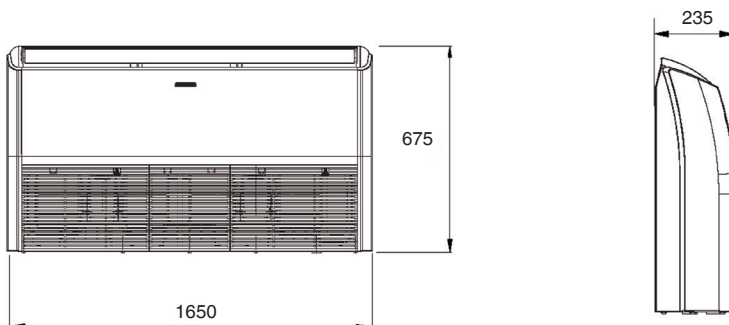
Technical Data

| Model reference | | | MAMBO - Ceiling 60HVT |
|------------------------|-------------------------|-------------------|-----------------------|
| Indoor unit | | | 42HU60VSC |
| Outdoor unit | | | 38HU60VTC |
| Cooling capacity | Min./nom./max. | kW | 5.40/15.50/16.00 |
| Heating capacity* | Min./nom./max. | kW | 4.30/17.50/18.50 |
| | @ -7 °C | kW | 11.50 |
| | @ -10 °C | kW | 11.10 |
| | @ -15 °C | kW | 9.90 |
| SEER | | W/W | 5.8 |
| SCOP | Warmer/average | W/W | 4.1/5.1 |
| Energy label | SEER | | A+ |
| | SCOP warmer/average | | A+/A+++ |
| Rated current | | A | 14 |
| Rated input | | kW | 7.50 |
| Power supply | | V/ph/Hz | 380-415/3/50 |
| Power to | | | Both |
| Interconnecting | | | 2 |
| Refrigerant amount | R410A | kg | 4.30 |
| Liquid side - gas side | | inch | 3/8 - 5/8 |
| Standard piping length | Min./max. piping length | m | 3/50 |
| | Max. height difference | m | 25 |
| | Additional charge | g/m | 30 |
| Indoor unit | | | 42HU60VTC |
| Sound power level** | | dB(A) | 73 |
| Sound pressure level** | High/med./low | dB(A) | 56/51/47 |
| Air flow | High/med./low | m ³ /h | 2250/1900/1500 |
| Weight | | kg | 40.5/47 |
| Dimension | W x D x H | mm | 1650 x 675 x 235 |

* -7 °C/-10 °C/-15 °C heating at free frequency

** Sound data in cooling mode

Dimensional Drawings



Cool Designs Ltd

Raising the Standards in Air Conditioning Distribution

www.cdlweb.info





CIAT - MAMBO Universal air conditioner

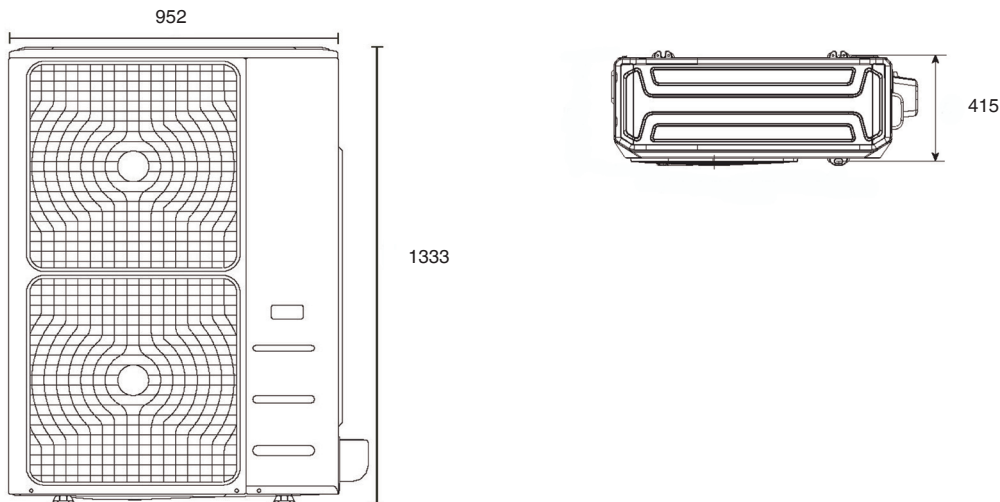
MAMBO Ceiling 60HVT
Universal air conditioner



| | | | |
|------------------------|-----------|-------------------|------------------|
| Outdoor unit | | | 38HU60VTC |
| Sound power level** | | dB(A) | 77 |
| Sound pressure level** | | dB(A) | 64 |
| Air flow | | m ³ /h | 7000 |
| Weight | | kg | 112.8/126 |
| Dimension | W x D x H | mm | 952 x 415 x 1333 |

** Sound data in cooling mode

Dimensional Drawings



Accessories

| Description | Part Number |
|---|-------------|
| Wired remote control for LC range - KJR-12- G2 | 7511630 |
| Centralised wired remote control for LC range connectable up to 64 units - CCM-30 | 7511631 |

Split-system unit ratings are based on the following conditions:

Cooling capacities: Indoor air temperature 27°C (DB)/19°C (WB) - Outdoor air temperature 35°C (DB)/24°C (WB)

Heating capacities: Indoor air temperature 20°C (DB)/15°C (WB) - Outdoor air temperature 7°C (DB)/6°C (WB)

Cool Designs Ltd

Raising the Standards in Air Conditioning Distribution

www.cdlweb.info

