



CIAT - MAMBO Universal air conditioner

MAMBO Ceiling 24HV Universal air conditioner

Features

- Infra-red controller as standard (wired available).
- Full Wi-Fi compatibility.
- Can be installed vertically or horizontally.
- Fresh air connection.
- Easy access from inside the grille.
- 3D air flow meaning air intake from bottom or rear.



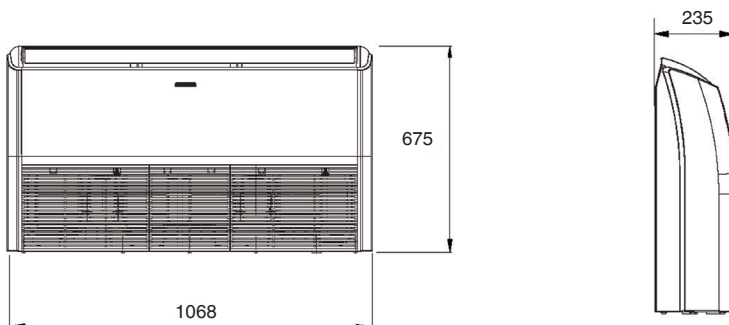
Technical Data

Model reference			MAMBO - Ceiling 24HV
Indoor unit			42HU24VSC
Outdoor unit			38HU24VSC
Cooling capacity	Min./nom./max.	kW	2.50/7.03/8.00
Heating capacity*	Min./nom./max.	kW	2.50/7.30/8.50
	@ -7 °C	kW	5.30
	@ -10 °C	kW	5.50
	@ -15 °C	kW	4.90
SEER		W/W	5.8
SCOP	Warmer/average	W/W	4.0/4.8
Energy label	SEER		A+
	SCOP warmer/average		A+/A++
Rated current		A	16
Rated input		kW	3.68
Power supply		V/ph/Hz	220-240/1/50
Power to			Outdoor
Interconnecting			5
Refrigerant amount	R410A	kg	2.05
Liquid side - gas side		inch	3/8 - 5/8
Standard piping length	Min./max. piping length	m	3/40
	Max. height difference	m	20
	Additional charge	g/m	30
Indoor unit			42HU24VSC
Sound power level**		dB(A)	65
Sound pressure level**	High/med./low	dB(A)	50/47/41
Air flow	High/med./low	m ³ /h	1150/1040/790
Weight		kg	27.0/32.0
Dimension	W x D x H	mm	1068 x 675 x 235

* -7 °C/-10 °C/-15 °C heating at free frequency

** Sound data in cooling mode

Dimensional Drawings



Cool Designs Ltd

Raising the Standards in Air Conditioning Distribution

www.cdlweb.info





CIAT - MAMBO Universal air conditioner

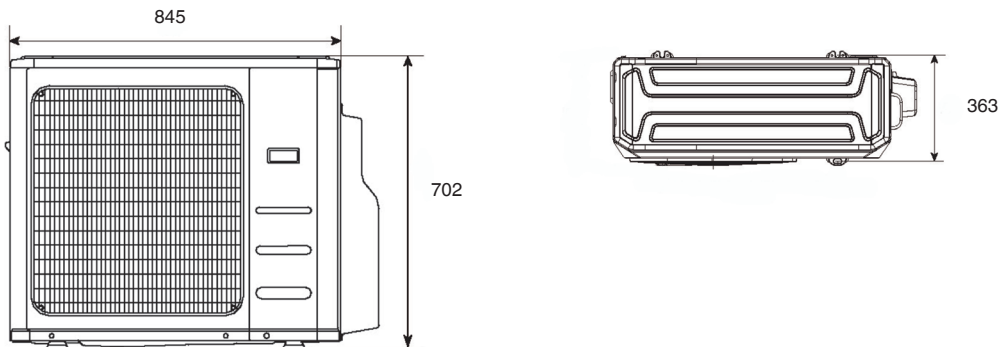
MAMBO Ceiling 24HV
Universal air conditioner



Outdoor unit			38HU24VSC
Sound power level**		dB(A)	69
Sound pressure level**		dB(A)	61
Air flow		m ³ /h	2700
Weight		kg	50/54.5
Dimension	W x D x H	mm	845 x 363 x 702

** Sound data in cooling mode

Dimensional Drawings



Accessories

Description	Part Number
Wired remote control for LC range - KJR-12- G2	7511630
Centralised wired remote control for LC range connectable up to 64 units - CCM-30	7511631

Split-system unit ratings are based on the following conditions:

Cooling capacities: Indoor air temperature 27°C (DB)/19°C (WB) - Outdoor air temperature 35°C (DB)/24°C (WB)

Heating capacities: Indoor air temperature 20°C (DB)/15°C (WB) - Outdoor air temperature 7°C (DB)/6°C (WB)

Cool Designs Ltd

Raising the Standards in Air Conditioning Distribution

www.cdlweb.info

