

## Toshiba Air Conditioning - VRF Data Sheet

### MMU-AP0272WH 2-way cassette

#### Features

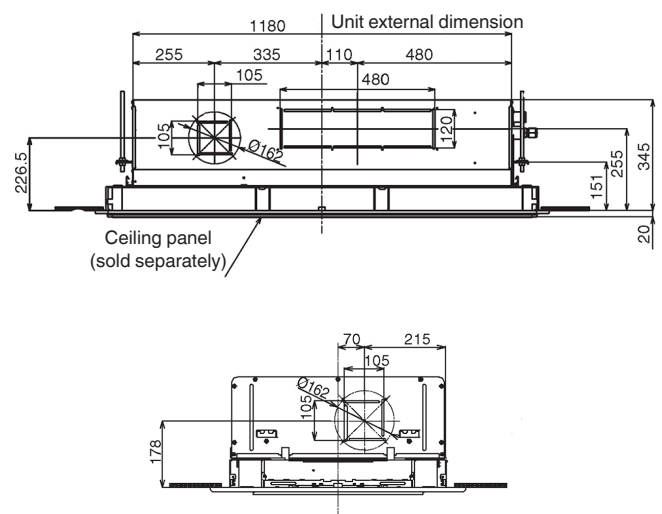
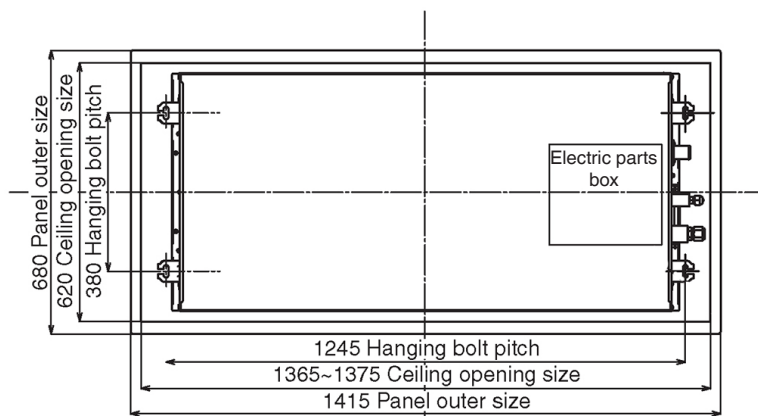
- Compact dimensions (height 345 mm - 4.5 to 16 kW)
- Unique air flow control
- Auxiliary fresh air intake
- Lift pump up to 425 mm lift
- Long life filters



#### Technical Data

Model reference		MMU-AP0272WH
Nominal cooling	kW	8.0
Nominal heating	kW	9.0
Capacity code		3.0
Power input (cool/heat)	kW	0.054
UK cooling	kW	7.69
UK sensible cooling	kW	5.77
UK heating	kW	7.29
Starting current	A	0.59
Running current	A	0.39
Suggested fuse size	A	5
Power supply	V-ph-Hz	220/240-1-50
Interconnecting cable		2-core screened 1.5 mm
Sound power H-M-L	dB(A)	53-50-48
Sound pressure H-L	dB(A)	38-33
Air flow H-L	m <sup>3</sup> /h	1050-738
Air flow H-L	l/s	292-205
Dimensions (H x W x D)	mm	345 x 1180 x 570
Unit weight	kg	26
Panel reference		RBC-UW803PG(W)-E
Panel dimensions (H x W x D)	mm	20 x 1415 x 680

#### Dimensional Drawings



Cool Designs Ltd

Raising the Standards in Air Conditioning Distribution

www.cdlweb.info

