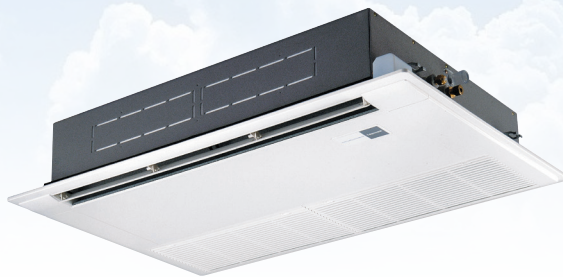


Toshiba Air Conditioning - VRF Data Sheet

MMU-AP0244SH-E 1-way cassette

Features

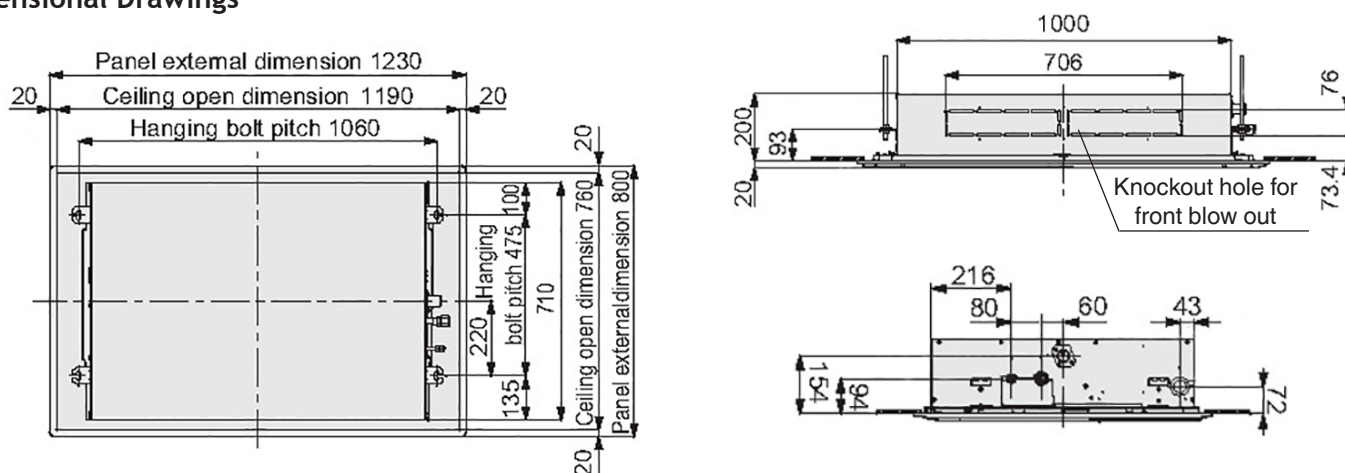
- Compact size (200 x 1000 x 710 mm 4.5 to 7.1 kW)
- Low noise down to 32 dB(A) (4.5 kW)
- Fresh air intake
- Lift pump up to 350 mm lift
- Ideal for restricted ceiling voids



Technical Data

Model reference		MMU-AP0244SH-E
Nominal cooling	kW	7.1
Nominal heating	kW	8.0
Capacity code		2.5
Power input (cool/heat)	kW	0.075
UK cooling	kW	6.82
UK sensible cooling	kW	5.12
UK heating	kW	6.48
Starting current	A	0.80
Running current	A	0.62
Suggested fuse size	A	5
Power supply	V-ph-Hz	220/240-1-50
Interconnecting cable		2-core screened 1.5 mm
Sound power H-M-L	dB(A)	60-56-52
Sound pressure H-L	dB(A)	45-37
Air flow H-L	m ³ /h	1140-810
Air flow H-L	l/s	317-225
Dimensions (H x W x D)	mm	200 x 1000 x 710
Unit weight	kg	22
Panel reference		RBC-US21GE
Panel dimensions (H x W x D)	mm	20 x 1230 x 800

Dimensional Drawings



Cool Designs Ltd

Raising the Standards in Air Conditioning Distribution

www.cdlweb.info

