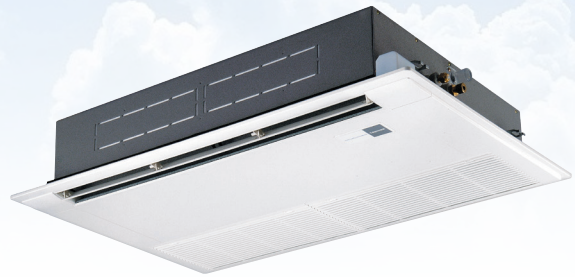


Toshiba Air Conditioning - VRF Data Sheet

MMU-AP0184SH-E 1-way cassette

Features

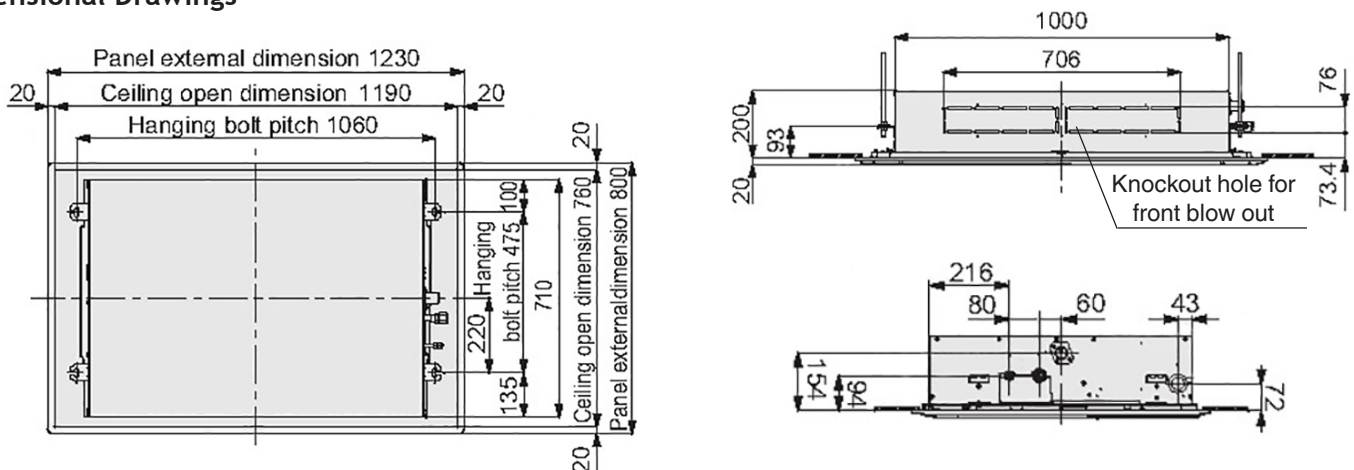
- Compact size (200 x 1000 x 710 mm 4.5 to 7.1 kW)
- Low noise down to 32 dB(A) (4.5 kW)
- Fresh air intake
- Lift pump up to 350 mm lift
- Ideal for restricted ceiling voids



Technical Data

| Model reference | | MMU-AP0184SH-E |
|------------------------------|-------------------|------------------------|
| Nominal cooling | kW | 5.6 |
| Nominal heating | kW | 6.3 |
| Capacity code | | 2.0 |
| Power input (cool/heat) | kW | 0.046 |
| UK cooling | kW | 5.38 |
| UK sensible cooling | kW | 4.04 |
| UK heating | kW | 5.1 |
| Starting current | A | 0.54 |
| Running current | A | 0.37 |
| Suggested fuse size | A | 5 |
| Power supply | V-ph-Hz | 220/240-1-50 |
| Interconnecting cable | | 2-core screened 1.5 mm |
| Sound power H-M-L | dB(A) | 53-51-49 |
| Sound pressure H-L | dB(A) | 38-34 |
| Air flow H-L | m ³ /h | 780-660 |
| Air flow H-L | l/s | 217-183 |
| Dimensions (H x W x D) | mm | 200 x 1000 x 710 |
| Unit weight | kg | 21 |
| Panel reference | | RBC-US21GE |
| Panel dimensions (H x W x D) | mm | 20 x 1230 x 800 |

Dimensional Drawings



Cool Designs Ltd

Raising the Standards in Air Conditioning Distribution

www.cdlweb.info

