

Toshiba Air Conditioning - VRF Data Sheet

MMU-AP0152WH 2-way cassette

Features

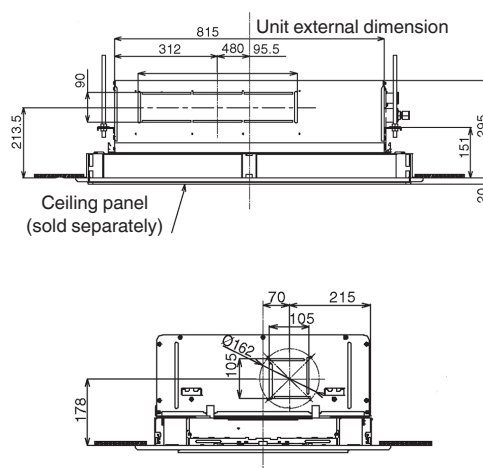
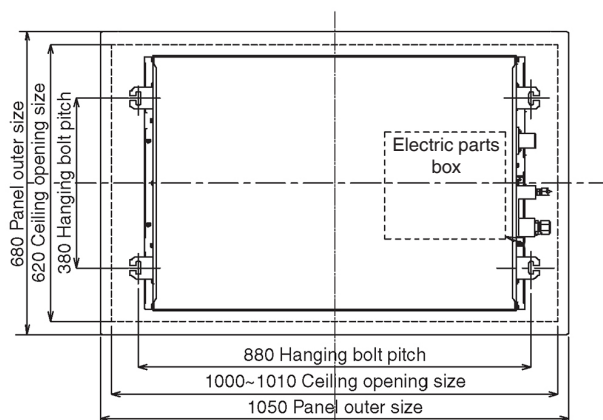
- Compact dimensions (height 295 mm - up to 4.5 kW)
- Unique air flow control
- Auxiliary fresh air intake
- Lift pump up to 425 mm lift
- Long life filters



Technical Data

Model reference		MMU-AP0152WH
Nominal cooling	kW	4.5
Nominal heating	kW	5.0
Capacity code		1.7
Power input (cool/heat)	kW	0.030
UK cooling	kW	4.33
UK sensible cooling	kW	3.24
UK heating	kW	4.05
Starting current	A	0.36
Running current	A	0.24
Suggested fuse size	A	5
Power supply	V-ph-Hz	220/240-1-50
Interconnecting cable		2-core screened 1.5 mm
Sound power H-M-L	dB(A)	50-48-45
Sound pressure H-L	dB(A)	35-30
Air flow H-L	m ³ /h	600-450
Air flow H-L	l/s	167-125
Dimensions (H x W x D)	mm	295 x 815 x 570
Unit weight	kg	19
Panel reference		RBC-UW283PG(W)-E
Panel dimensions (H x W x D)	mm	20 x 1050 x 680

Dimensional Drawings



Cool Designs Ltd

Raising the Standards in Air Conditioning Distribution

www.cdlweb.info

