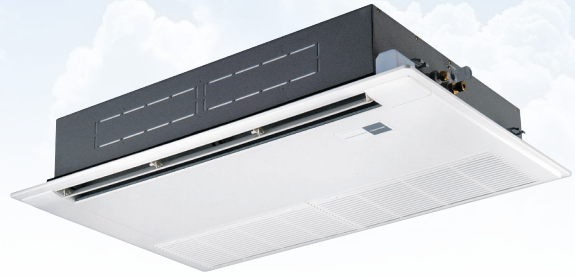


Toshiba Air Conditioning - VRF Data Sheet

MMU-AP0074YH-E 1-way cassette

Features

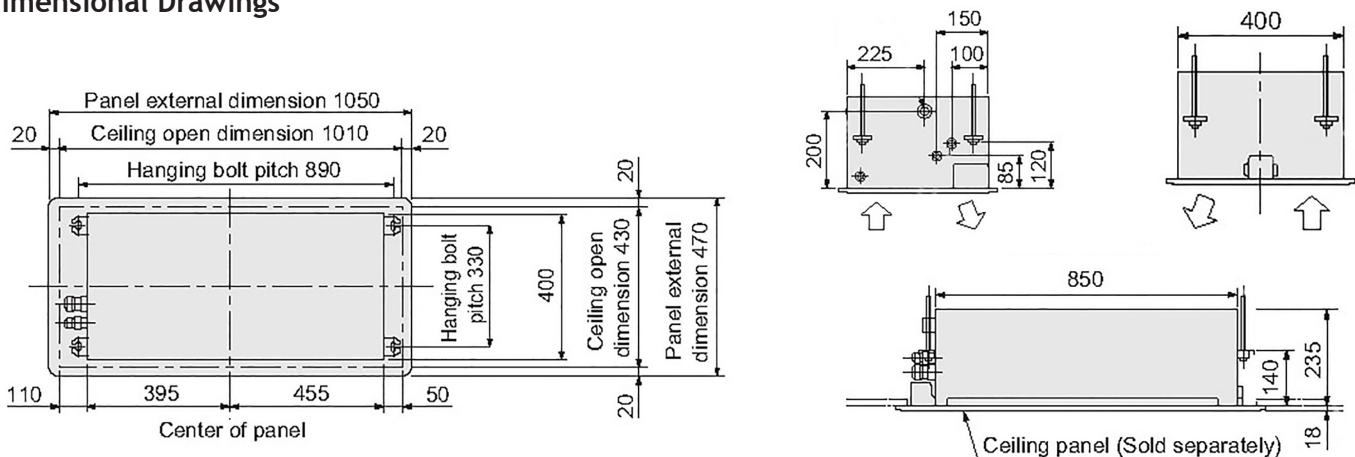
- Compact size (235 x 850 x 400 mm, 2.2 to 3.6 kW)
- Low noise down to 34 dB(A) (2.2 to 3.6 kW)
- Fresh air intake
- Lift pump up to 350 mm lift
- Ideal for restricted ceiling voids



Technical Data

Model reference		MMU-AP0074YH-E
Nominal cooling	kW	2.2
Nominal heating	kW	2.5
Capacity code		0.8
Power input (cool/heat)	kW	0.053
UK cooling	kW	2.11
UK sensible cooling	kW	1.59
UK heating	kW	2.03
Starting current	A	0.60
Running current	A	0.24
Suggested fuse size	A	5
Power supply	V-ph-Hz	220/240-1-50
Interconnecting cable		2-core screened 1.5 mm
Sound power H-M-L	dB(A)	57-54-49
Sound pressure H-L	dB(A)	42-34
Air flow H-L	m ³ /h	540-420
Air flow H-L	l/s	150-117
Dimensions (H x W x D)	mm	235 x 850 x 400
Unit weight	kg	22
Panel reference		RBC-UY136PG
Panel dimensions (H x W x D)	mm	18 x 1050 x 470

Dimensional Drawings



Cool Designs Ltd

Raising the Standards in Air Conditioning Distribution

www.cdlweb.info

