

## Toshiba Air Conditioning - VRF Data Sheet

### MML-AP0184H-E Floor-mounted console

#### Features

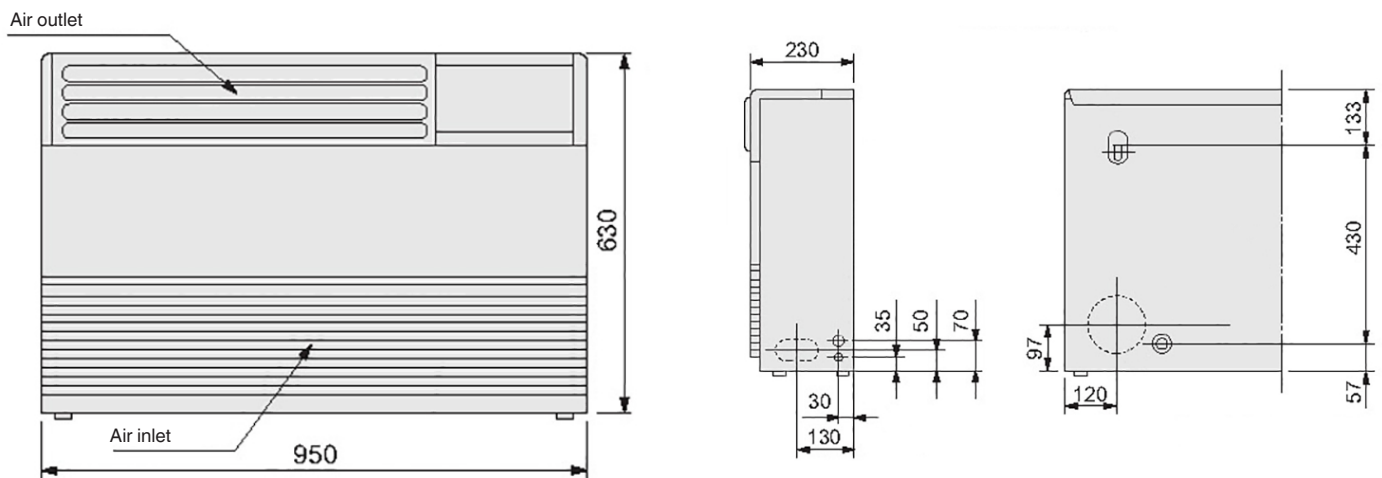
- Vertical or horizontal air discharge
- Built-in facility for standard remote controller
- Variable installation options, service access at top, rear, left or right side of unit
- Minimum space required for installation and servicing



#### Technical Data

Model reference		MML-AP0184H-E
Nominal cooling	kW	5.6
Nominal heating	kW	6.3
Capacity code		2.0
Power input (cool/heat)	kW	0.102
UK cooling	kW	5.38
UK sensible cooling	kW	4.04
UK heating	kW	5.10
Starting current	A	1.10
Running current	A	0.47
Suggested fuse size	A	5
Power supply	V-ph-Hz	220/240-1-50
Interconnecting cable		2-core screened 1.5 mm
Sound power H-M-L	dB(A)	64-59-54
Sound pressure H-L	dB(A)	49-39
Air flow H-L	m <sup>3</sup> /h	1080-780
Air flow H-L	l/s	300-217
Dimensions (H x W x D)	mm	630 x 950 x 230
Unit weight	kg	37

#### Dimensional Drawings



Cool Designs Ltd

Raising the Standards in Air Conditioning Distribution

www.cdlweb.info

