

Toshiba Air Conditioning - VRF Data Sheet

MML-AP0154NH-E Bi-Flow console

Features

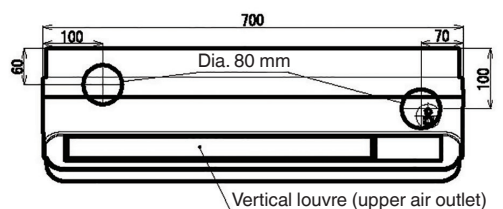
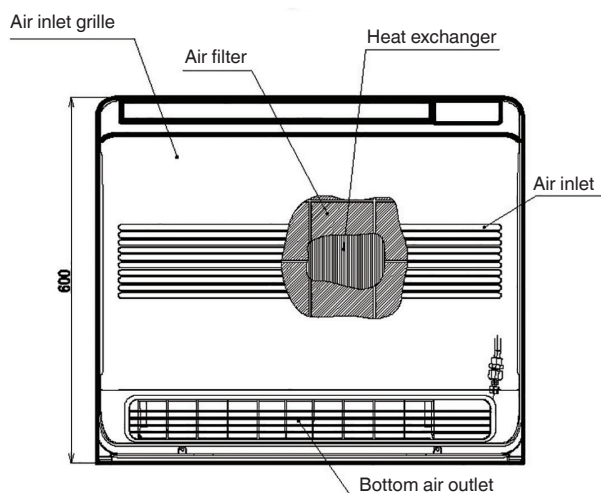
- Compact and modern design (600 x 700 x 220 mm)
- Toshiba IAQ filter system, with powerful anti-virus, anti-bacteria and deodorizing effect
- Bi-Flow. Two outlets for complete personalized flow: flow intensity and air direction control
- Wireless remote control with pre-set function and unique hi-power button



Technical Data

Model reference		MML-AP0154NH-E
Nominal cooling	kW	4.5
Nominal heating	kW	5.0
Capacity code		1.7
Power input (cool/heat)	kW	0.034
UK cooling	kW	4.33
UK sensible cooling	kW	3.24
UK heating	kW	4.05
Starting current	A	0.38
Running current	A	0.29
Suggested fuse size	A	5
Power supply	V-ph-Hz	220/240-1-50
Interconnecting cable		2-core screened 1.5 mm
Sound power H-M-L	dB(A)	58-52-46
Sound pressure H-L	dB(A)	43-31
Air flow H-L	m ³ /h	624-384
Air flow H-L	l/s	173-107
Dimensions (H x W x D)	mm	600 x 700 x 220
Unit weight	kg	17

Dimensional Drawings



Cool Designs Ltd

Raising the Standards in Air Conditioning Distribution

www.cdlweb.info

