

## Toshiba Air Conditioning - VRF Data Sheet

### MML-AP0124BH-E Concealed chassis

#### Features

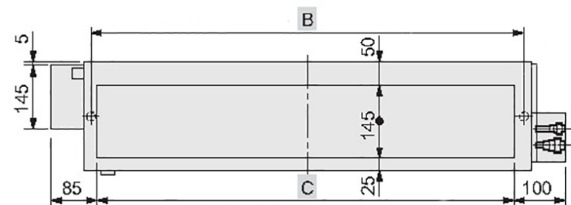
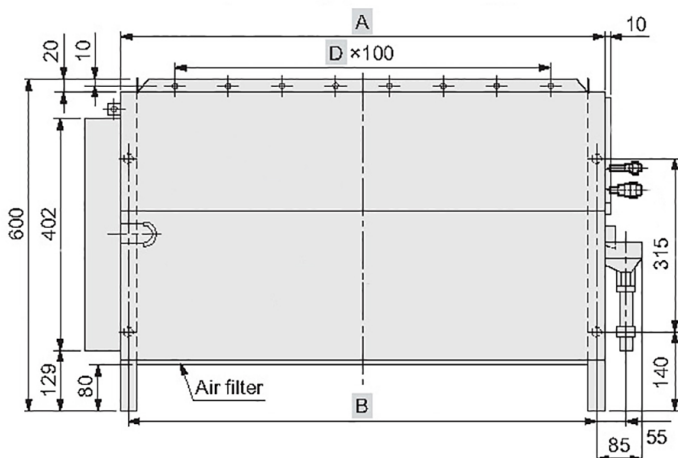
- Very compact design can be installed under a standard window sill, only 600 mm in height
- Only 200 mm in depth, allows installation along the wall ensuring space saving
- Top or front air discharge
- Only 32 dB(A) sound pressure



#### Technical Data

Model reference		MML-AP0124BH-E
Nominal cooling	kW	3.6
Nominal heating	kW	4.0
Capacity code		1.25
Power input (cool/heat)	kW	0.056
UK cooling	kW	3.46
UK sensible cooling	kW	2.60
UK heating	kW	3.24
Starting current	A	0.60
Running current	A	0.25
Suggested fuse size	A	5
Power supply	V-ph-Hz	220/240-1-50
Interconnecting cable		2-core screened 1.5 mm
Sound power H-M-L	dB(A)	51-49-47
Sound pressure H-L	dB(A)	36-32
Air flow H-L	m <sup>3</sup> /h	460-300
Air flow H-L	l/s	128-83
Static pressure	kPa	0
Dimensions (H x W x D)	mm	600 x 745 x 220
Unit weight	kg	21

#### Dimensional Drawings



Model MML-	A	B	C	D
AP0074BH-E to AP0124BH-E	610	580	550	4
AP0154BH-E to AP0244BH-E	910	880	850	7

Cool Designs Ltd

Raising the Standards in Air Conditioning Distribution

www.cdlweb.info

