

Toshiba Air Conditioning - VRF Data Sheet

MMK-AP0073H High-Wall

Features

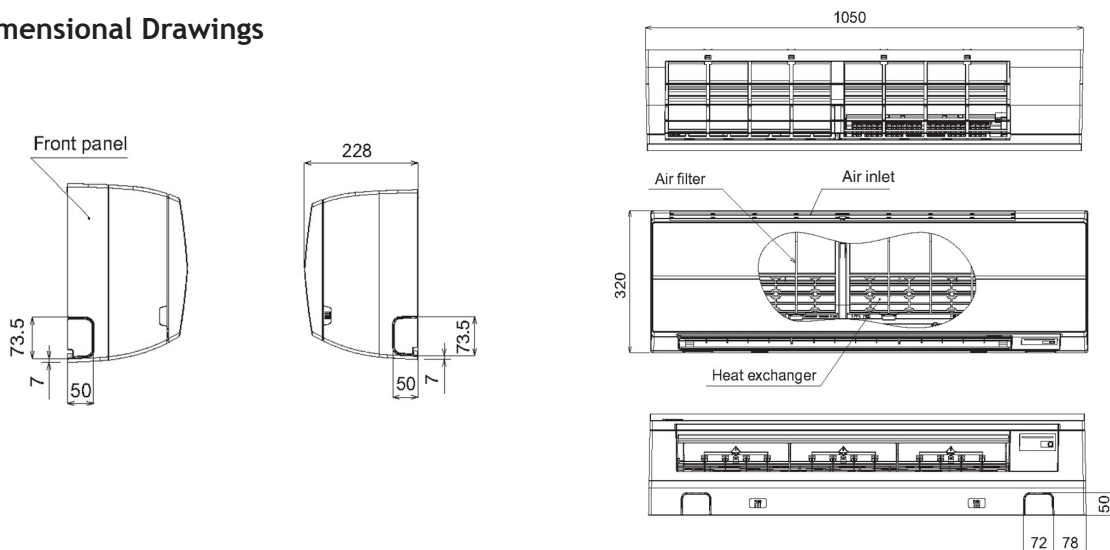
- Compact and lightweight 15 kg
- Outstanding sound levels down to 28 dB(A)
- Automatic louvre swing pattern to distribute the air evenly into the room
- Infra-red or hard-wired remote controller option



Technical Data

| Model reference | | MMK-AP0073H |
|-------------------------|-------------------|------------------------|
| Nominal cooling | kW | 2.2 |
| Nominal heating | kW | 2.5 |
| Capacity code | | 0.8 |
| Power input (cool/heat) | kW | 0.018 |
| UK cooling | kW | 2.11 |
| UK sensible cooling | kW | 1.58 |
| UK heating | kW | 2.02 |
| Starting current | A | 0.22 |
| Running current | A | 0.17 |
| Suggested fuse size | A | 5 |
| Power supply | V-ph-Hz | 220/240-1-50 |
| Interconnecting cable | | 2-core screened 1.5 mm |
| Sound power H-M-L | dB(A) | 50-46-43 |
| Sound pressure H-L | dB(A) | 35-28 |
| Air flow H-L | m ³ /h | 570-390 |
| Air flow H-L | l/s | 158-108 |
| Dimensions (H x W x D) | mm | 320 x 1050 x 228 |
| Unit weight | kg | 15 |

Dimensional Drawings



Cool Designs Ltd

Raising the Standards in Air Conditioning Distribution

www.cdlweb.info

