

Toshiba Air Conditioning - VRF Data Sheet

MMF-AP0156H-E Floor-mounted cabinet

Features

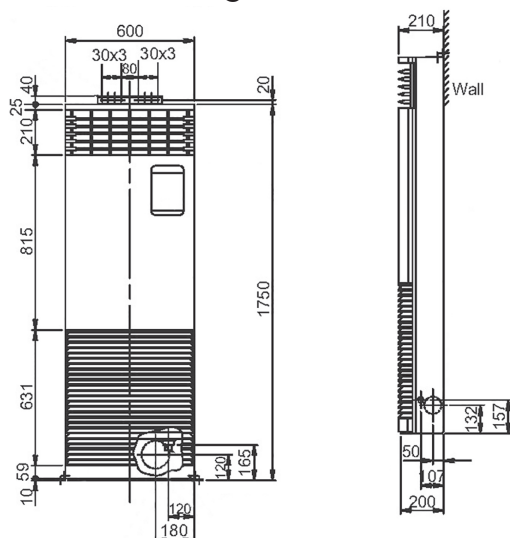
- Wide automatic vertical and horizontal air distribution with an angle up to 150°
- Large capacity range: cooling capacities from 4.5 kW to 16 kW, heating capacities from 5 kW to 18 kW
- Very small footprint 0.128 m² up to 8 kW and 0.243 m² up to 16 kW
- High air flows from 660 m³/h to 2160 m³/h



Technical Data

Model reference		MMF-AP0156H-E
Nominal cooling	kW	4.5
Nominal heating	kW	5.0
Capacity code		1.7
Power input (cool/heat)	kW	0.055
UK cooling	kW	4.10
UK sensible cooling	kW	3.20
UK heating	kW	4.00
Starting current	A	0.53
Running current	A	0.38
Suggested fuse size	A	5
Power supply	V-ph-Hz	220/240-1-50
Interconnecting cable		2-core screened 1.5 mm
Sound power H-M-L	dB(A)	59-56-51
Sound pressure H-L	dB(A)	46-37
Air flow H-L	m ³ /h	900-660
Air flow H-L	l/s	249-183
Dimensions (H x W x D)	mm	1750 x 600 x 210
Unit weight	kg	46

Dimensional Drawings



Cool Designs Ltd

Raising the Standards in Air Conditioning Distribution

www.cdlweb.info

