

Toshiba Air Conditioning - VRF Data Sheet

MMD-AP0364H-E High static ducted

Features

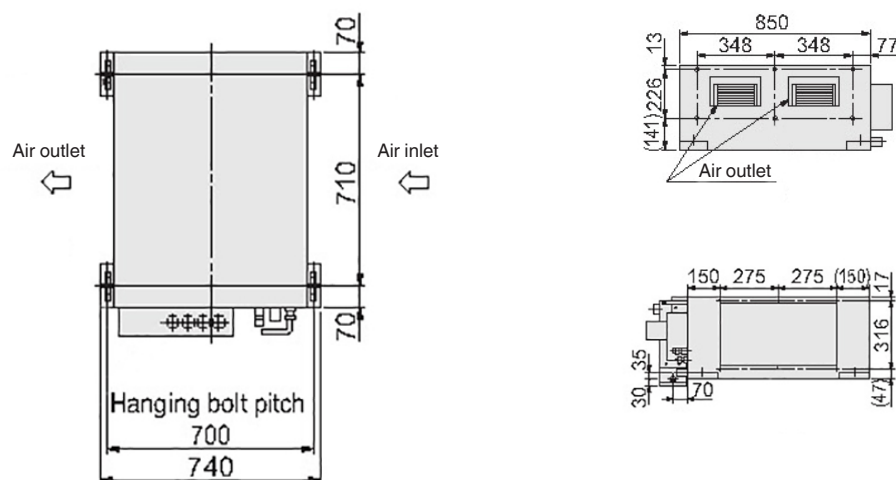
- External static pressure can be set to 3 levels (69, 137 and 196 Pa)
- Renewal of indoor ambient air with constant fresh air supply through the field-installed fresh air intake connection
- Inspection hole enables easy access and maintenance



Technical Data

Model reference		MMD-AP0364H-E
Nominal cooling	kW	11.2
Nominal heating	kW	12.5
Capacity code		4.0
Power input (cool/heat)	kW	0.368
UK cooling	kW	10.77
UK sensible cooling	kW	8.07
UK heating	kW	10.13
Starting current	A	3.9
Running current	A	1.63
Suggested fuse size	A	10
Power supply	V-ph-Hz	220/240-1-50
Interconnecting cable		2-core screened 1.5 mm
Sound power H-M-L	dB(A)	51-55-59
Sound pressure H-L	dB(A)	36-44
Standard air flow	m ³ /h	1600
Standard air flow	l/s	450
Air flow limits (lower-upper)	m ³ /h	1280-1920
External static pressure (factory default)	Pa	137
Static pressure range	Pa	69-196
Dimensions (H x W x D)	mm	380 x 850 x 660
Unit weight	kg	56

Dimensional Drawings



Cool Designs Ltd

Raising the Standards in Air Conditioning Distribution

www.cdlweb.info

