

Toshiba Air Conditioning - VRF Data Sheet

MCY-MHP0404HS-E

MiNi SMMSe - Heat Pump Condensing Unit



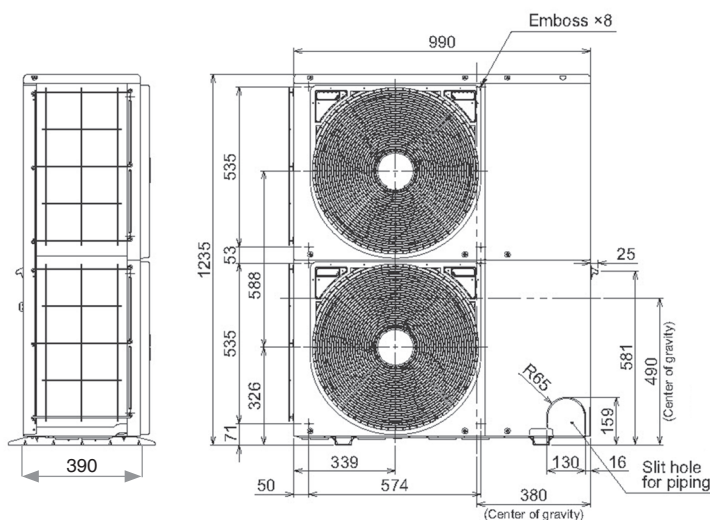
Features

- High efficiency, ESEER >10
- Increased number of connectable indoor units
- Can connect DX coil heat exchangers
- Available in single- or three-phase
- Heating down to -20°C

Technical Data

Model reference		MCY-MHP0404HS-E
Nominal cooling	kW	12.1
Nominal heating	kW	12.5
Capacity code		4
Min./max. capacities connectable	kW	3.5/5.2
Power input (cool/heat)	kW	2.83/2.59
SEER/ESEER/UKSEER Value (Office Profile)		9.6/10.8
SCOP/ESCOP Value (Office Profile)		6.6/6.89
Starting current	A	1
Running current (cool/heat)	A	13/12
Suggested fuse size	A	20
Power supply	V-ph-Hz	220/240-1-50
Interconnecting cable		2-core screened 1.5 mm
Sound power (cool/heat)	dB(A)	66/69
Sound pressure (cool/heat)	dB(A)	49/52
Standard air flow	m ³ /h	5660
Standard air flow	l/s	1572
Maximum indoor units connectable		8
Dimensions (H x W x D)	mm	1235 x 990 x 390
Unit weight	kg	127
R410A refrigerant base charge	kg	6.4

Dimensional Drawings



Cool Designs Ltd

Raising the Standards in Air Conditioning Distribution

www.cdlweb.info

