

Toshiba Air Conditioning - VRF Data Sheet

MMY-MAP1206HT8P-E

Two-pipe SMMSe - Heat Pump Condensing Unit

Features

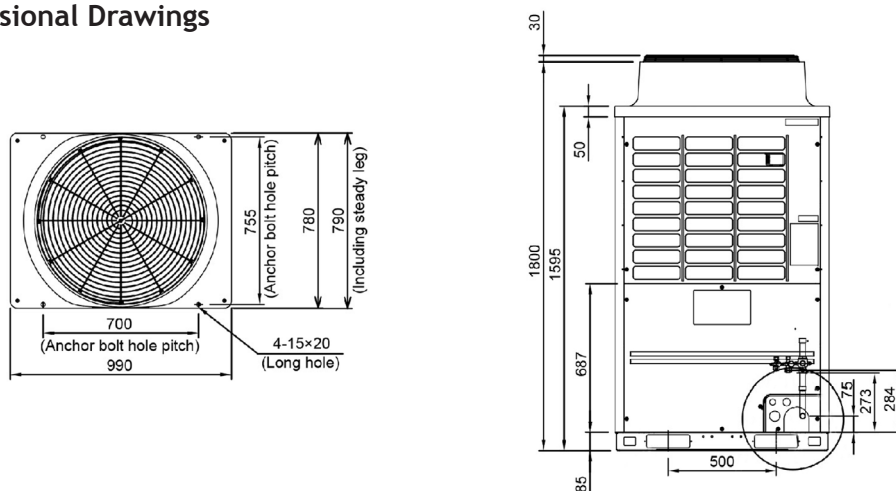
- New DC twin rotary compressor with DLC coated vane
- Wave interface communication tool for Smartphone (Android) commissioning and data transfer
- Longer pipe lengths up to 1000 m
- Increased connectable capacity up to 64 indoor units
- New sub-cooling heat exchanger for improved energy efficiency
- High efficiency combinations 20 hp to 54 hp



Technical Data

Model reference		MMY-MAP1206HT8P-E
Nominal cooling	kW	33.5
Nominal heating	kW	37.5
Capacity code		12
Min./max. capacities connectable	hp	6/16.2
Power input (cool/heat)	kW	10.0/9.65
SEER/ESEER Value (Office Profile)		7.23/8.03
SCOP/ESCOP Value (Office Profile)		5.03/5.42
Starting current	A	1
Running current (cool/heat)	A	15.5/15.0
Suggested fuse size	A	20
Power supply	V-ph-Hz	400-3-50
Interconnecting cable		2-core screened 1.5 mm
Sound power (cool/heat)	dB(A)	80/82
Sound pressure (cool/heat)	dB(A)	59/61
Standard air flow	m ³ /h	12200
Standard air flow	l/s	3389
Maximum indoor units connectable		27
Dimensions (H x W x D)	mm	1830 x 990 x 780
Unit weight	kg	242
R410A refrigerant base charge	kg	11.5

Dimensional Drawings



Cool Designs Ltd

Raising the Standards in Air Conditioning Distribution

www.cdlweb.info

