

## Toshiba Air Conditioning - VRF Data Sheet

MMY-MAP0806HT8P-E

Two-pipe SMMSe - Heat Pump Condensing Unit

### Features

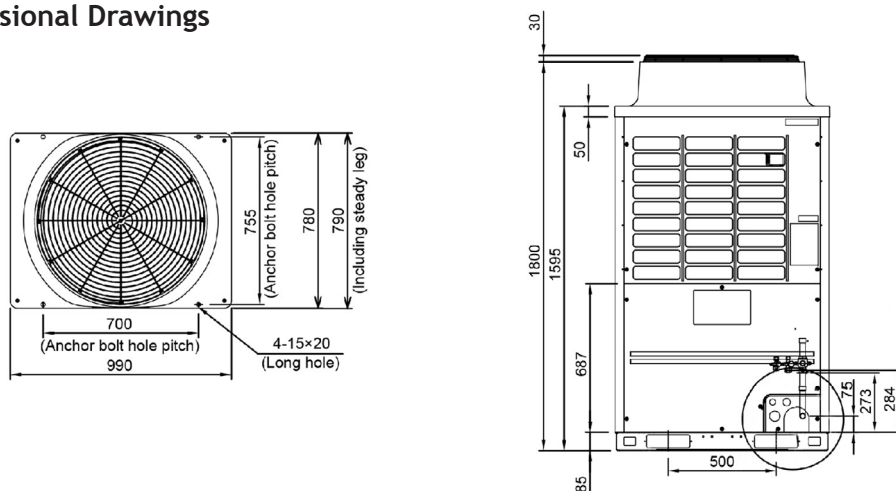
- New DC twin rotary compressor with DLC coated vane
- Wave interface communication tool for Smartphone (Android) commissioning and data transfer
- Longer pipe lengths up to 1000 m
- Increased connectable capacity up to 64 indoor units
- New sub-cooling heat exchanger for improved energy efficiency
- High efficiency combinations 20 hp to 54 hp



### Technical Data

Model reference		MMY-MAP0806HT8P-E
Nominal cooling	kW	22.4
Nominal heating	kW	25.0
Capacity code		8
Min./max. capacities connectable	hp	4/10.8
Power input (cool/heat)	kW	5.54/5.53
SEER/ESEER Value (Office Profile)		7.18/7.61
SCOP/ESCOP Value (Office Profile)		5.84/5.99
Starting current	A	1
Running current (cool/heat)	A	8.79/8.77
Suggested fuse size	A	16
Power supply	V-ph-Hz	400-3-50
Interconnecting cable		2-core screened 1.5 mm
Sound power (cool/heat)	dB(A)	74/74
Sound pressure (cool/heat)	dB(A)	55/56
Standard air flow	m <sup>3</sup> /h	9700
Standard air flow	l/s	2695
Maximum indoor units connectable		18
Dimensions (H x W x D)	mm	1830 x 990 x 780
Unit weight	kg	242
R410A refrigerant base charge	kg	11.5

### Dimensional Drawings



Cool Designs Ltd

Raising the Standards in Air Conditioning Distribution

www.cdlweb.info

