

TOSHIBA INSTALLATION MANUAL

To Personnel Charged in Installation Work and Service

Wireless remote controller kit
Model: RBC-AX32U(W)-E, RBC-AX32U(WS)-E

- Thank you for purchasing Wireless remote controller kit for TOSHIBA air conditioners.
 - Read this manual carefully for correct installation of the wireless remote controller kit before starting work.
 - After the installation is completed, execute a test run to check for normal operation and explain how to use and maintain the wireless remote controller kit to the customer according to the Owner's Manual.
- Ask the customer to keep this manual with the Owner's Manual.

Observe the safety precautions described in the Owner's Manual of the wireless remote controller kit, Installation Manual and Owner's Manual of the 4-way cassette type air conditioner (indoor unit), or the installation manual supplied with the ceiling panel.

Accessories

Part Name	Q'ty	Part Name	Q'ty
Signal receiving unit	1	Owner's Manual	1
Remote controller	1	Installation Manual (this manual)	1
Remote controller holder	1	Tapping screw M4 x 16 mm	2
Battery	2	Clamp	1
		Clamp screw M4 x 12 mm	1

Settings for the signal receiving unit before installation

Before installing the signal receiving unit, make the following settings referring to each description.

- To install the wireless remote controller together with wired remote controller, configure the "Multiple remote controller installation"
- When ceiling height exceeds the standard height (factory default), refer to the "Installing indoor unit on high ceiling" on installation manual of the indoor unit.

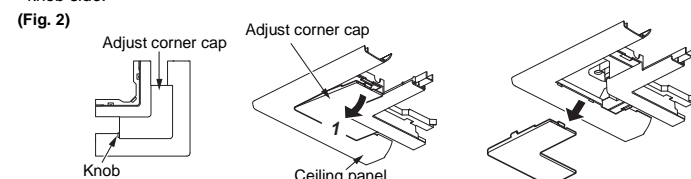
How to install the signal receiving unit

Install the signal receiving unit in correct orientation, since the signal receiving unit can be installed at only one corner as shown in (Fig. 1).

1. Remove the air intake grille.
2. Remove the adjust corner cap at the corner where the signal receiving unit is to be installed. (Fig. 2)

Pull the knob of the adjust corner cap in the arrow 1 direction. Remove the adjust corner cap.

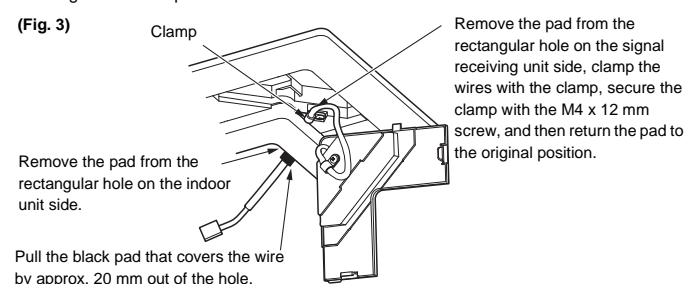
* The knob is provided only on one side of the cap. Be sure to detach the cap from the knob side.



3. A pad is packed in the two rectangular holes (indoor unit side and signal receiving unit side) for ceiling panel wires. Remove the pads temporarily, and pass the wires from the wireless signal receiving unit through the rectangular holes. (Fig. 3)

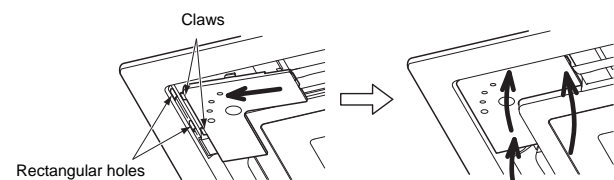
4. After the wiring is completed following "How to wire the signal receiving unit" below without slack of the wires, pull the black pad that covers the wire by approx. 20 mm out of the rectangular hole on the indoor unit side, and then clamp the wires with the supplied clamp tightened with the screw. Then return the packing removed from the rectangular hole on the signal receiving unit to the original position. (Fig. 3)

* Securely position the black pad and fix the packing. Failure to do so may cause water leakage or dew drop on the unit and wires.



5. Attach the signal receiving unit to the ceiling panel, while taking care not to catch the wires. (Fig. 4)

(Fig. 4) Insert the two claws on the adjust corner cap (with signal receiving unit) into the rectangular holes of the ceiling panel in the arrow direction. Push the adjust corner cap in the arrow directions so that the three claws are fitted.

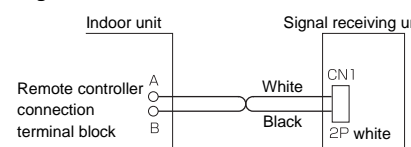


- Push the three claws of the adjust corner cap firmly as far as they will go. Failure to do so may result in water leakage.

Note: Do not bundle these control signal wires with the power wire to avoid malfunction.

How to wire the signal receiving unit

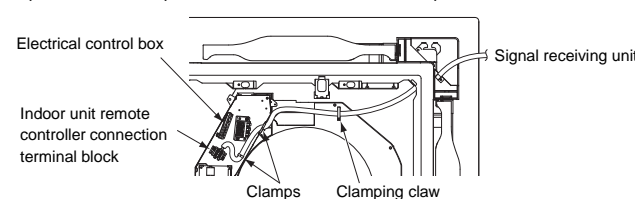
<Connection diagram>



<Connection>

Connect the wires from the signal receiving unit to the remote controller connection terminal block of the indoor unit. (The terminals are nonpolar.)

- Clamp the redundant portion of the wires with the clamps in the electrical control box.



Multiple remote controller installation

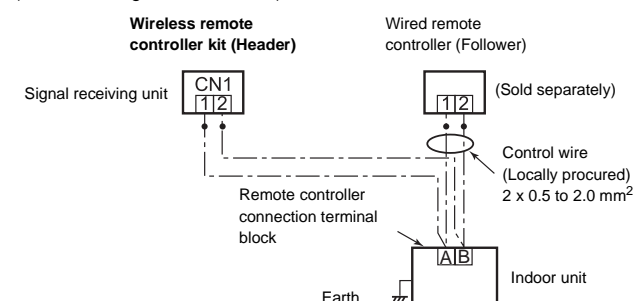
The control by two remote controllers is enabled by installing the wireless remote controller with the wired remote controller for an indoor unit. (Max. 2 remote controllers of wireless or wired are insatiable.) "2-remote controllers" controlling means that one or multiple units are operated by the multiple remote controllers.

Note:

1. Upon confirmation of the terminal numbers of the indoor unit, connect the control wire without miswiring. (If applied 220 - 240 V, damage the unit.)
2. The multiple wireless remote controller kits cannot concurrently be used for an indoor unit.
3. When installing simultaneously the wireless remote controller with the wired remote controller, set one of them as the follower remote controller.
 - To use wired remote controller or Lite-vision plus remote controller as a follower, settings must be changed. For the details, refer to the installation manual of each controller.
 - To use the wireless remote controller as a follower, set bit 4 (Follower side) of DIP switch SW30 on the signal receiving unit P.C. board to ON.

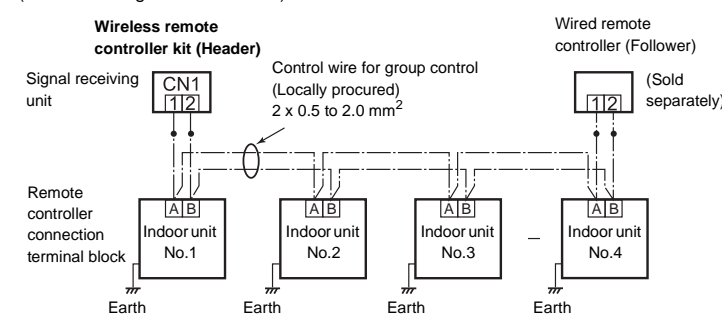
2-remote controllers

The indoor unit is operated if either wireless or wired remote controller is set as header or follower remote controller. (Total wire length: Within 400 m)



Group control

Header and follower remote controllers are operable even if they are installed to any indoor unit. (Total wire length: Within 200 m)

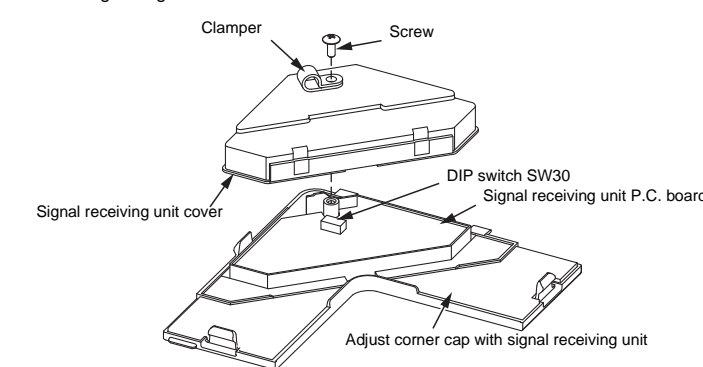


Remote controller address (A-B selection) setting

- When two or more signal receiving units are installed in a room, a unique address can be set for each signal receiving unit to prevent interference.
- Address (A-B selection) must be changed on both signal receiving unit and wireless remote controller.
- For the details of address change (A-B selection) on wireless remote controller, refer to the owner's manual.

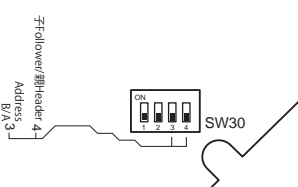
Turn off the indoor unit power supply. Turn on the bit 4 of DIP switch SW30 on the signal receiving unit P.C. board.

The setting change is shown below.



DIP switch [SW30]

4	ON=follower	OFF=header
3	ON=B	OFF=A
2	Not used	
1	Not used	



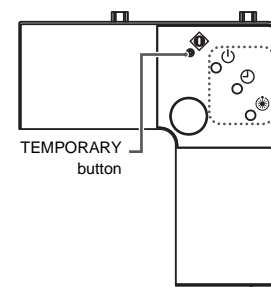
Test run (Forced cooling operation)

Requirement:

- Finish the forced cooling operation in a short time because it applies excessive strength to the air conditioner.

How to perform forced cooling operation

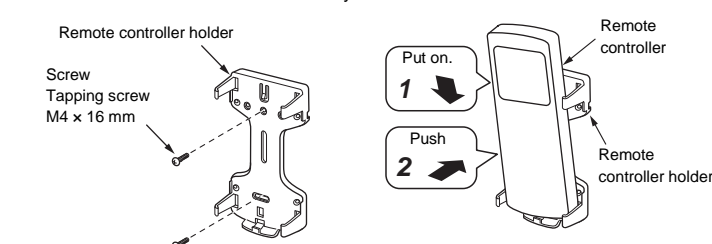
1. When TEMPORARY button is pushed for 10 seconds or more, "Pi!" sound is heard and the operation changes to a forced cooling operation. After approx. 3 minutes, a cooling operation starts forcedly. Check cool air starts blowing. If the operation does not start, check wiring again.
 2. To stop a test operation, push TEMPORARY button once again (Approx. 1 second).
- Check wiring / piping of the indoor and outdoor units in forced cooling operation.



How to handle the remote controller

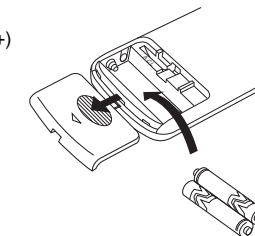
• To set the remote controller on the wall

Push \odot button at the installation position on the wall to check that the signal from the remote controller is received correctly.



• Loading Batteries

1. Remove the battery cover.
2. Insert 2 new batteries (R03 [AAA]) following the (+) and (-) positions.



Self-diagnosis function and measures

The following table shows a few examples. For details of indoor unit errors, refer to the Installation Manual of the indoor unit.

LED	Possible cause	Measures
<p>These LEDs do not light or blink even if the remote controller is operated.</p>	<ul style="list-style-type: none"> - Power is not turned on. - Incorrect connection between signal receiving unit and indoor unit 	
	Loose connection between signal receiving unit and indoor unit	Check connections and reconnect wires correctly, if necessary.
	Incorrect or loose connection between indoor unit and outdoor unit	
	The protective device of the outdoor unit is activated.	Check the outdoor unit.
	The protective device of the indoor unit is activated.	Check the indoor unit.

LEDs on the signal receiving unit: \bullet : OFF \odot : Blinking (at intervals of 0.5 seconds)
LED color: \odot : Green \odot : Green \odot : Orange

Notes on installing remote controller

- When using a wireless remote controller in the remote controller holder on a wall, turn on a fluorescent light and operate the remote controller at the installation position. Make sure that the air conditioner operates normally and then secure the remote controller holder on the wall.
- When installing a remote controller that senses room temperature with the sensor, avoid the following places.
 - A place exposed to direct cool air, warm air or direct sunlight
 - A place subject to thermal effects

Explanation to the customer

- After the installation work has been completed, execute a test run to check for normal operation and then hand the customer the Owner's Manual and Installation Manual of the wireless remote controller kit.
- Explain how to use and maintain the wireless remote controller kit to the customer according to the Owner's Manual of the wireless remote controller kit.