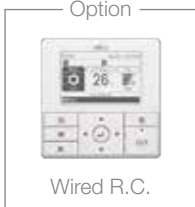


# high static duct



Wired R.C.

Option



Wired R.C.

Option



Simple  
Controller

Fujitsu's larger high static duct range has a peak power consumption mode which controls a 4 step outdoor operation to cut down energy usage at peak energy usage times. With its split front panel, this allows for easy maintenance from top to bottom of the outdoor unit. Fan motors of the indoor unit can be removed separately.

- Nominal cooling: 20.30kW to 25.00kW (2 models)
- Twin fans and motors for easy maintenance
- Peak power cut option
- Up to 250Pa static pressure
- Optional duct sensor

## Specifications

	3-Phase Units		
	Indoor	ARYC72LHTA AOYA72LALT	ARYC90LHTA AOYA90LALT
Nominal Capacity (kW)	Cooling	20.30 (10.80-23.50)	25.00 (11.20-28.00)
	Heating	22.60 (12.00-26.50)	28.00 (12.50-31.50)
UK Total / Sensible Cooling *		19.46 / 15.22	24.33 / 19.78
Power Consumption (kW)	Cooling	6.25	7.82
	Heating	6.27	8.24
EER / COP (Nominal Conditions)		3.25 / 3.60	3.20 / 3.40
Pdesign (kW) @ -10°C	Cooling	-	-
	Heating	-	-
SEER	Cooling	-	-
SCOP	Heating (Average)	-	-
Energy Efficiency Class	Cooling	-	-
	Heating (Average)	-	-
Annual Energy Consumption (kWh/a)	Cooling	-	-
	Heating	-	-
Moisture Removal l/h	Inner	4.50	6.00
	Outer	1690x930x765	1690x930x765
Dimensions (HxWxD) mm	Inner	100	110
	Outer	215	215
Net Weight (kg)	Inner	4300	4850
	Outer	9300	10700
Room Air Circulation (high) m3/h			
Power Supply	V-PH-Hz	400 / 3 / 50	400 / 3 / 50
Power Supply To		Outdoor	Outdoor
Running Current (A)	Cooling	9.60	11.90
	Heating	9.60	12.50
Static Pressure Range (Standard)	Pa	50 to 250 (72)	50 to 250 (72)
Starting Current	A	9.60	12.50
Suggested MCB/Fuse	A	25	30
Interconnecting Cable		3 + E	3 + E
Remote Control Type		Wired	Wired
Sound Pressure (dB(A) Cooling)	Indoor Q/L/M/H	- / 41 / 44 / 47	- / 43 / 46 / 49
	Outdoor H	57	58
Sound Power (dB(A) Cooling)	Indoor H	-	-
	Outdoor H	-	-
Max Pipe Length	m	75	75
Max Height Difference	m	30	30
Refrigerant Charge	m	20	20
Additional Refrigerant Charge	g/m	110	110
Pipe Size (inches)	Gas	7/8 (22.2mm) / 1 - 1/8" (28.58mm)	7/8 (22.2mm) / 1 - 1/8" (28.58mm)
	Liquid	1/2 (12.7mm)	1/2 (12.7mm)
Operating Range °CDB	Cooling	-5 ~ 46	-5 ~ 46
	Heating	-15 ~ 24	-15 ~ 24
Refrigerant		R410A	R410A

## Optional Parts

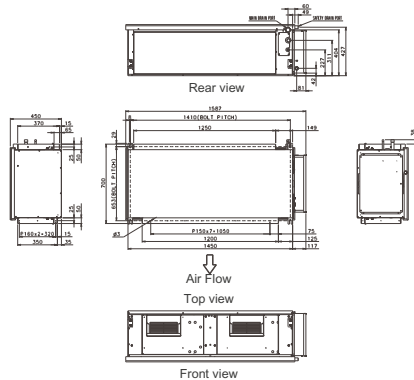
Wired Remote Controller:	UTYRVNYM
Simple Remote Controller:	UTYRSNYM
Remote Sensor Unit:	UTYXSZX
External Connect Kit - Indoor	UTDEC55A
External Connect Kit - Outdoor	UTYXWZXZ2
Modus Interface	FJRCMSB1
KNX Interface	FJRCKNX1
WiFi Interface	FJRCWIF1

\* UK Cooling: indoor temperature 23°CDB / 16°CWB and outdoor temperature 30°C

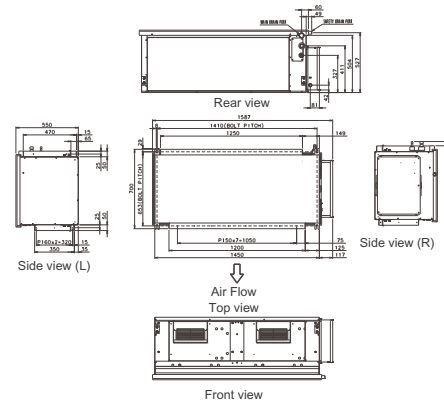
## Dimensions Models : ARYC72LHTA / ARYC90LHTA

(Unit : mm)

### Model: ARYC72LHTA



### Model: ARYC90LHTA



The company reserves the right to make any variation in specification to the equipment described or to withdraw or replace products without prior notification or public announcement. All descriptions, illustrations, drawings and specifications in this publication present only general particulars and shall not form any part of any contract. All equipment and services are supplied subject to FG Eurofred's Terms and Conditions of Sale.

All prices shown exclude VAT.



ISO 9001  
Certified member (UK 02020) - Certified member (UK 02020)  
Fujitsu General (Thailand) Co., Ltd.

ISO 14001  
Certified member (UK 02020) - Certified member (UK 02020)  
Fujitsu General (Thailand) Co., Ltd.

ISO 9001  
Certified member (UK 02020) - Certified member (UK 02020)  
Fujitsu General (Thailand) Co., Ltd.

ISO 14001  
Certified member (UK 02020) - Certified member (UK 02020)  
Fujitsu General (Thailand) Co., Ltd.

Fujitsu air conditioning products are available from FG Eurofred and local distributors.

**FUJITSU**  
AIR CONDITIONERS