

## Toshiba Air Conditioning - RAV-SM Data Sheet

### RAV-SM2804DTP-E High Static Ducted

#### Features

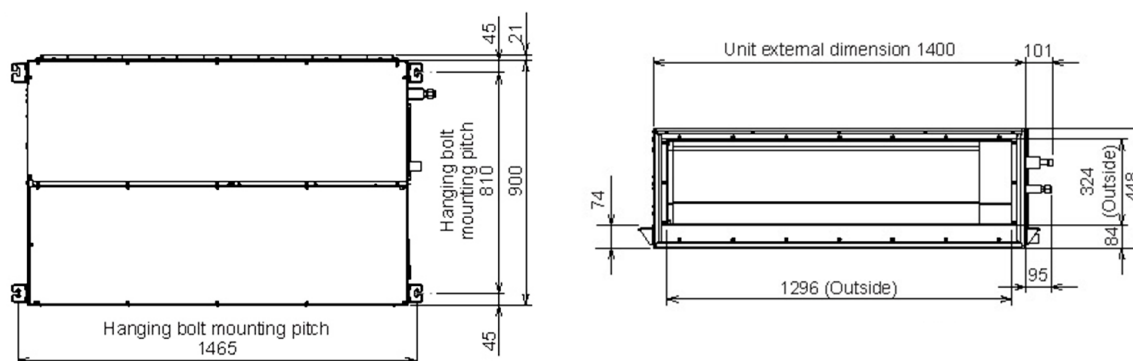
- Static pressure can be set to 3 levels (50-83-117 Pa)
- Air flow up to 4800 m<sup>3</sup>/h
- Full inverter control
- R22 and R407C replacement technology



#### Technical Data

Model reference		RAV-SM2804DTP-E
Nominal cooling	kW	23.7
Nominal heating	kW	27.0
Power consumption (cool/heat)	kW	8.75/7.20
UK cooling	kW	21.5
UK sensible cooling	kW	18.8
UK heating	kW	17.6
Starting current	A	1
Running current (cool/heat)	A	3.75/3.75
Suggested fuse size	A	20
Power supply	V-ph-Hz	220/240-1-50
Interconnecting cable		3 core + earth
Sound power (H-M-L)	dB(A)	81-77-73
Sound pressure (H-M-L)	dB(A)	46-42-38
Air flow - high	m <sup>3</sup> /h	4800
Air flow - high	l/s	1333
Dimensions (H x W x D)	mm	448 x 1400 x 900
Unit weight	kg	97
Energy label (cool/heat)	V-ph-Hz	C/A
EER/COP		2.71/3.75
SEER/SCOP		4.34/3.88
Pipe sizes (liquid - suction)	inch	1/2 - 1-1/8
External static pressure range	Pa	50-250
Factory static pressure setting	Pa	150

#### Dimensional Drawings



Cool Designs Ltd

Raising the Standards in Air Conditioning Distribution

[www.cdlweb.info](http://www.cdlweb.info)



All UK duties are based on Cooling Indoor air temperature 27°C DB/19°C WB Outdoor air temperature 35°C DB 50% RH, high fan speed, 7.5 m pipe run.  
Heating Indoor air temperature 20°C DB Outdoor air temperature 7°C DB/6°C WB 100% RH, high fan speed, 7.5 m pipe run.  
Values are based on the maximum compressor output. Data obtained from Toshiba Air Conditioning Published Data June 2016.