

Toshiba Air Conditioning - RAV-SM Data Sheet

RAV-SM2244DTP-E High Static Ducted

Features

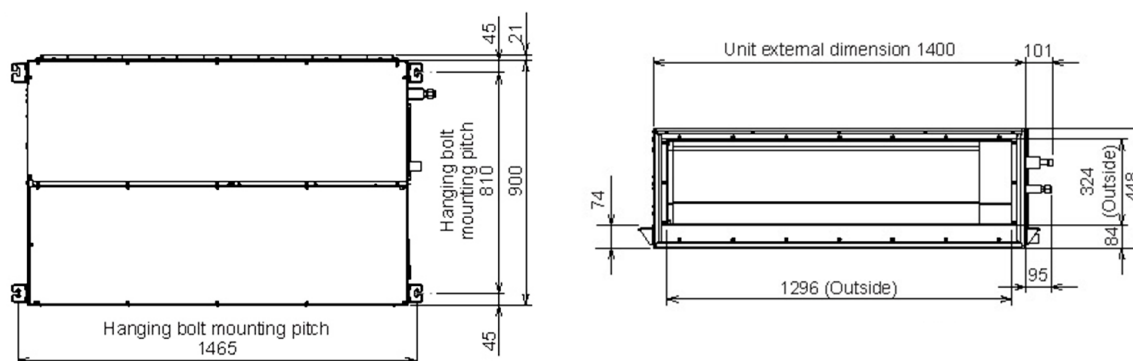
- Static pressure can be set to 3 levels (50-83-117 Pa)
- Air flow up to 3800 m³/h
- Full inverter control
- R22 and R407C replacement technology



Technical Data

Model reference		RAV-SM2244DTP-E
Nominal cooling	kW	20.0
Nominal heating	kW	22.4
Power consumption (cool/heat)	kW	6.29/5.91
UK cooling	kW	18.2
UK sensible cooling	kW	15.8
UK heating	kW	14.6
Starting current	A	1
Running current (cool/heat)	A	2.80/2.80
Suggested fuse size	A	16
Power supply	V-ph-Hz	220/240-1-50
Interconnecting cable		3 core + earth
Sound power (H-M-L)	dB(A)	79-75-71
Sound pressure (H-M-L)	dB(A)	44-40-36
Air flow - high	m ³ /h	3800
Air flow - high	l/s	1056
Dimensions (H x W x D)	mm	448 x 1400 x 900
Unit weight	kg	97
Energy label (cool/heat)	V-ph-Hz	B/A+
EER/COP		3.18/3.79
SEER/SCOP		4.81/4.20
Pipe sizes (liquid - suction)	inch	1/2 - 1-1/8
External static pressure range	Pa	50-250
Factory static pressure setting	Pa	150

Dimensional Drawings



Cool Designs Ltd

Raising the Standards in Air Conditioning Distribution

www.cdlweb.info



All UK duties are based on Cooling Indoor air temperature 27°C DB/19°C WB Outdoor air temperature 35°C DB 50% RH, high fan speed, 7.5 m pipe run.
Heating Indoor air temperature 20°C DB Outdoor air temperature 7°C DB/6°C WB 100% RH, high fan speed, 7.5 m pipe run.
Values are based on the maximum compressor output. Data obtained from Toshiba Air Conditioning Published Data June 2016.