

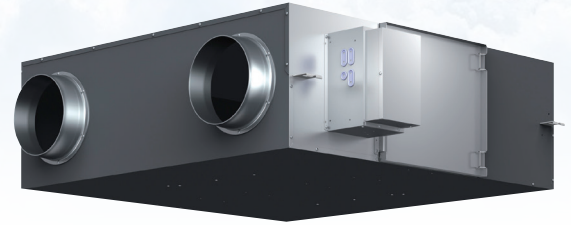
Toshiba Air Conditioning - Air-to-Air Heat Exchanger Data Sheet

VN-M650HE

Standard Heat Exchanger

Features

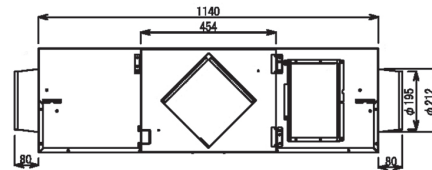
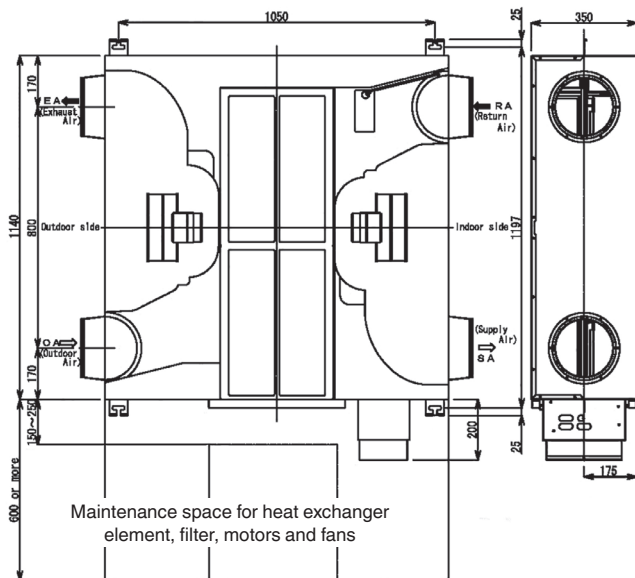
- Automatic changeover
- Recovery up to 83% of heat loss
- Air balance volume rate can be varied
- Free cooling when ambient temperature is lower than internal temperature
- Compatible with standard TCC link controls



Technical Data

Model reference		VN-M650HE
Temperature exchange efficiency (EH/H/L)	%	75/75/76.5
Enthalpy exchange efficiency - cooling (EH/H/L)	%	61.5/61.5/64
Enthalpy exchange efficiency - heating (EH/H/L)	%	69.5/69.5/71.5
Sound pressure (EH/H/L)	dB(A)	36/34/32.5
Power consumption (EH/H/L)	W	290/258/191
Maximum running current	A	1.49
Suggested fuse size	A	5
External static pressure (EH/H/L)	Pa	107/82/96
Dimensions (H x W x D)	inch	350 x 1140 x 1140
Weight	kg	53
Power supply	V-ph-Hz	220/240-1-50
Duct diameter	mm	200
Operating range - around unit	°C	-10 to 40, RH ≤ 80%
Operating range - outdoor air	°C	-15 to 43, RH ≤ 80%
Operating range - return air	°C	5 to 40, RH ≤ 80%

Dimensional Drawings



Cool Designs Ltd

Raising the Standards in Air Conditioning Distribution

www.cdlweb.info

