

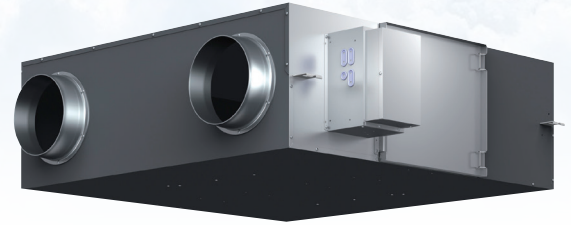
## Toshiba Air Conditioning - Air-to-Air Heat Exchanger Data Sheet

### VN-M250HE

### Standard Heat Exchanger

#### Features

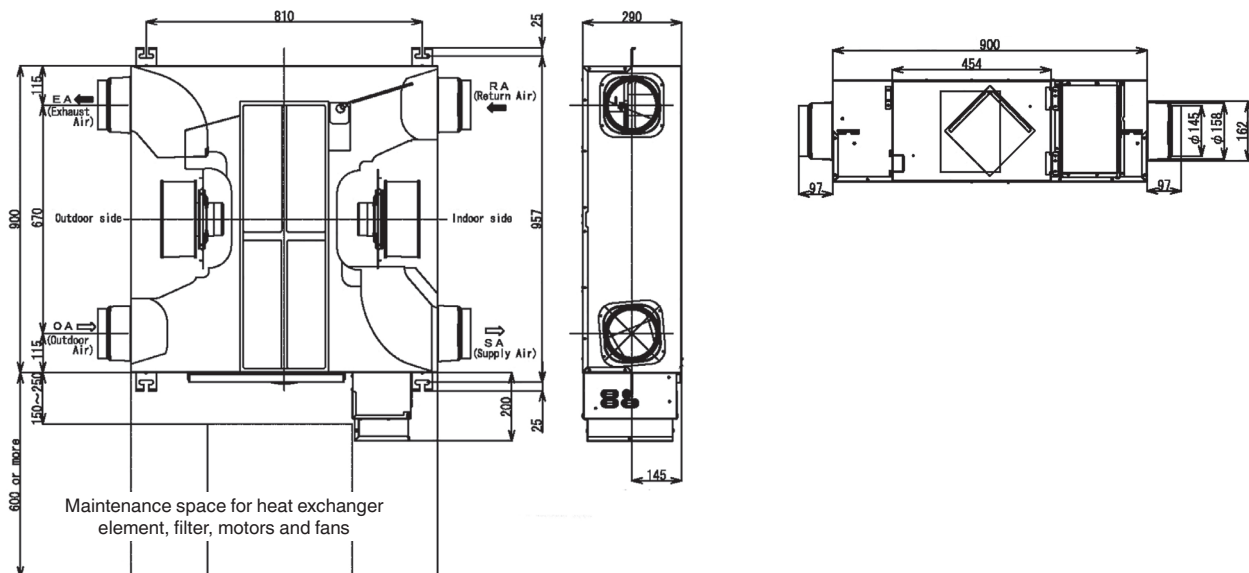
- Automatic changeover
- Recovery up to 83% of heat loss
- Air balance volume rate can be varied
- Free cooling when ambient temperature is lower than internal temperature
- Compatible with standard TCC link controls



#### Technical Data

Model reference		VN-M250HE
Temperature exchange efficiency (EH/H/L)	%	78/78/81.5
Enthalpy exchange efficiency - cooling (EH/H/L)	%	65/65/69
Enthalpy exchange efficiency - heating (EH/H/L)	%	70/70/74
Sound pressure (EH/H/L)	dB(A)	30/27/22
Power consumption (EH/H/L)	W	138/111/59
Maximum running current	A	0.58
Suggested fuse size	A	3
External static pressure (EH/H/L)	Pa	98/65/40
Dimensions (H x W x D)	inch	290 x 900 x 900
Weight	kg	36
Power supply	V-ph-Hz	220/240-1-50
Duct diameter	mm	150
Operating range - around unit	°C	-10 to 40, RH ≤ 80%
Operating range - outdoor air	°C	-15 to 43, RH ≤ 80%
Operating range - return air	°C	5 to 40, RH ≤ 80%

#### Dimensional Drawings



Cool Designs Ltd

Raising the Standards in Air Conditioning Distribution

www.cdlweb.info

