

Toshiba Air Conditioning - Air-to-Air Heat Exchanger Data Sheet

VN-M2000HE

Standard Heat Exchanger

Features

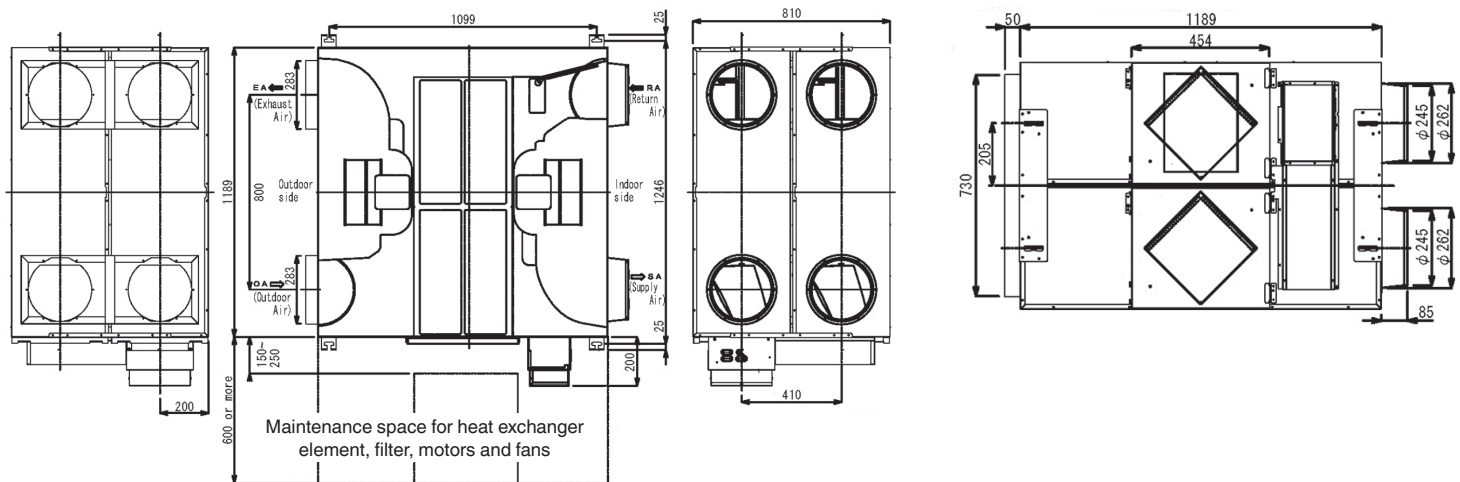
- Automatic changeover
- Recovery up to 83% of heat loss
- Air balance volume rate can be varied
- Free cooling when ambient temperature is lower than internal temperature
- Compatible with standard TCC link controls



Technical Data

Model reference		VN-M2000HE
Temperature exchange efficiency (EH/H/L)	%	73.5/73.5/77.5
Enthalpy exchange efficiency - cooling (EH/H/L)	%	60.5/60.5/65.5
Enthalpy exchange efficiency - heating (EH/H/L)	%	68.5/68.5/72
Sound pressure (EH/H/L)	dB(A)	42.5/41/38
Power consumption (EH/H/L)	W	1154/1080/742
Maximum running current	A	6.39
Suggested fuse size	A	13
External static pressure (EH/H/L)	Pa	143/116/143
Dimensions (H x W x D)	inch	810 x 1189 x 1189
Weight	kg	143
Power supply	V-ph-Hz	220/240-1-50
Duct diameter	mm	250
Operating range - around unit	°C	-10 to 40, RH ≤ 80%
Operating range - outdoor air	°C	-15 to 43, RH ≤ 80%
Operating range - return air	°C	5 to 40, RH ≤ 80%

Dimensional Drawings



Cool Designs Ltd

Raising the Standards in Air Conditioning Distribution

www.cdlweb.info

