

## Toshiba Air Conditioning - Air-to-Air Heat Exchanger Data Sheet

### VN-M1500HE Standard Heat Exchanger

#### Features

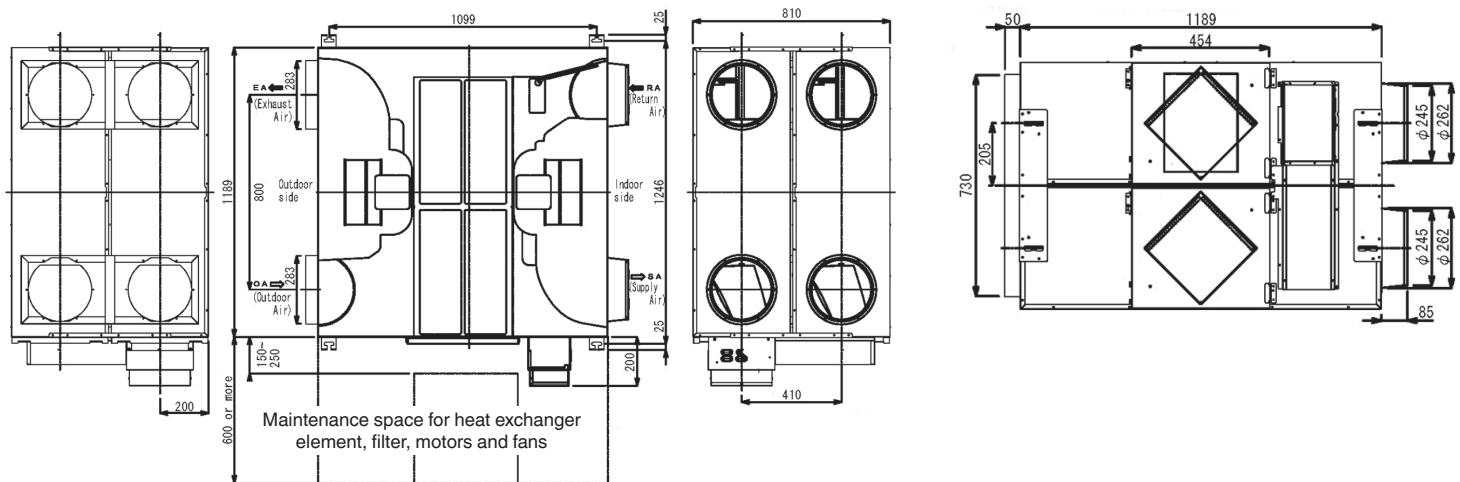
- Automatic changeover
- Recovery up to 83% of heat loss
- Air balance volume rate can be varied
- Free cooling when ambient temperature is lower than internal temperature
- Compatible with standard TCC link controls



#### Technical Data

Model reference		VN-M1500HE
Temperature exchange efficiency (EH/H/L)	%	76.5/76.5/79
Enthalpy exchange efficiency - cooling (EH/H/L)	%	64/64/67
Enthalpy exchange efficiency - heating (EH/H/L)	%	71/71/73.5
Sound pressure (EH/H/L)	dB(A)	39/37.5/37.5
Power consumption (EH/H/L)	W	786/784/607
Maximum running current	A	4.66
Suggested fuse size	A	13
External static pressure (EH/H/L)	Pa	159/129/142
Dimensions (H x W x D)	inch	810 x 1189 x 1189
Weight	kg	143
Power supply	V-ph-Hz	220/240-1-50
Duct diameter	mm	250
Operating range - around unit	°C	-10 to 40, RH ≤ 80%
Operating range - outdoor air	°C	-15 to 43, RH ≤ 80%
Operating range - return air	°C	5 to 40, RH ≤ 80%

#### Dimensional Drawings



Cool Designs Ltd

Raising the Standards in Air Conditioning Distribution

[www.cdlweb.info](http://www.cdlweb.info)



All UK duties are based on Cooling Indoor air temperature 22°C DB/16°C WB Outdoor air temperature 28°C DB 50% RH, high fan speed, 5 m pipe run.  
Heating Indoor air temperature 21°C DB Outdoor air temperature -4°C DB 100% RH, high fan speed, 5 m pipe run. Values are based on the maximum compressor output.  
Data obtained from Toshiba Air Conditioning Web Data July 2013.