



# CIAT - GEOCIAT Power Water-to-water heat pump

## GEOCIAT Power Water-to-water heat pump

### Features

- Heating only (optional GeoCooling).
- Water outlet temperature up to 60°C.
- COP certified up to 4.24.
- Extra low noise level.
- Two class A variable-speed accelerator pumps and 12 l expansion vessels.
- Units supplied with flexible connections and filter valve kit as standard.

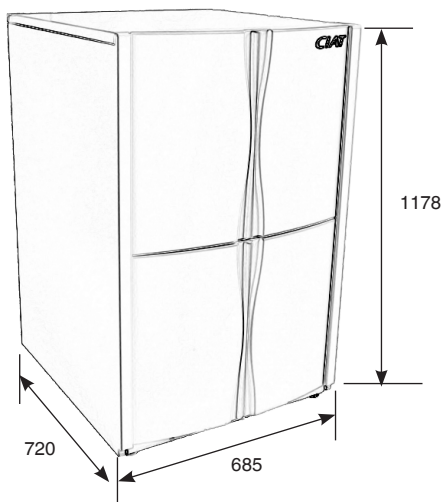


### Technical Data

GEOCIAT Power		50H	50HT	65HT	90HT	120HT
<b>Underfloor heating 30/35 °C*</b>						
Heating to 0/-3 °C	kW	12.48	12.16	15.80	21.44	27.35
COP		4.15	4.24	4.21	4.06	4.24
SCOP		4.34	4.41	4.44	4.24	4.31
Energy class		A++	A++	A++	A++	A++
<b>Heating to 10/7 °C</b>						
Heating to 10/7 °C	kW	16.50	16.39	21.13	27.64	37.62
COP		5.31	5.42	5.32	5.25	5.43
<b>Comfort unit 40/45 °C*</b>						
Heating to 0/-3 °C	kW	12.02	11.55	15.08	20.59	25.95
COP		3.31	3.33	3.30	3.24	3.32
<b>Radiators 47/55 °C*</b>						
Heating to 0/-3 °C	kW	11.90	11.80	14.80	20.50	25.80
COP		2.95	3.03	2.93	2.89	2.95
SCOP		3.31	3.30	3.29	3.21	3.27
Energy class		A+	A+	A+	A+	A+
Sound power*	dB(A)	54	54	52	53	55
Power supply	V-ph-Hz	230-1-50	400-3-50	400-3-50	400-3-50	400-3-50
Weight	kg	174	174	178	204	204
Dimensions W x D x H	mm	685 x 720 x 1178	685 x 720 x 1178	685 x 720 x 1178	685 x 720 x 1178	685 x 720 x 1178
Part Number		7402076	7402079	7402080	7402081	7402083

\* Following conditions NFPAC. Certified data NFPAC under No. NF414-1278.

### Dimensional Drawings



Cool Designs Ltd

Raising the Standards in Air Conditioning Distribution

www.cdlweb.info





# CIAT - GEOCIAT Power Water-to-water heat pump

GEOCIAT Power  
Water-to-water heat pump



## Accessories

Description	Sizes 50H/HT-65HT	Sizes 90HT-120HT
Manual valve kit (2 x required)	7110726	7110727
Filling kit	7013877	7111810
GeoCooling kit	7438199	7438200
200 l 8-nozzle mixing tank	7328747	-
400 l 8-nozzle mixing tank	7328748	7328748
9 kW aux heater kit to be integrated in the 8-nozzle mixing tanks	7221389	7221389
5 kW (single phase) loop heater	7148641	-
9 kW (three phase) loop heater	-	7148642
2-zone kit (accelerator pump, 3-way valve, thermometers, HomeConnect expansion board, wireless IO Homecontrol sensor)	7438198	7438198
HomeConnect expansion board	7438336	7438336
Pool heating kit (sensor + 3-way valves)	7111122	7111122
UFHC limiter thermostat (60°C)	7274278	7274278
300 l domestic hot water tank (sensor and 3-way valve)	7411502	-
Outdoor sensor with radio signal (to replace the wired outdoor sensor)	7262090	7262090
Offset sensor (10 m)	7438175	7438175
Sectional heat exchanger ITEX AGEO (water-to-water operation)	7268481	7268481

Cool Designs Ltd

Raising the Standards in Air Conditioning Distribution

www.cdlweb.info

