

Toshiba Air Conditioning - Controls Data Sheet

RBC-AMS41E Enhanced Remote Controller

Features

- Compatible with all R410A Digital/Super Digital Inverter and VRF systems*
- Energy-saving mode**
- Frost protection feature**
- Full control including service functions
- Weekly timer function with multiple programmable operations
- Weekly timer mode also enables night setback**
- Built-in room temperature sensor
- External ventilation control
- Individual louvre control**

* Not compatible with DI Flexi.

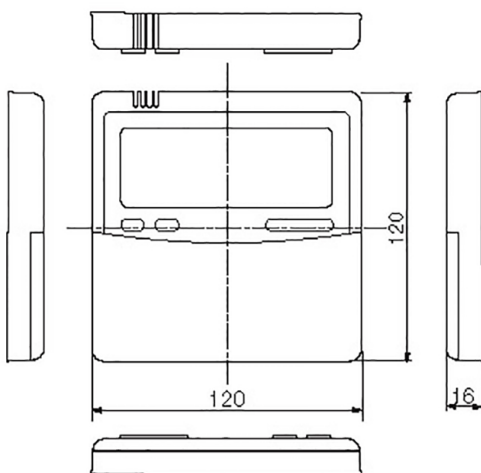
** Feature available on specific models and unit combinations.



Technical Data

Model reference		RBC-AMS41E	
Total dimensions (H x W x D)	mm	120 x 120 x 16	
Electrical connection (low voltage)		Screw terminals	
Functions	Setting	Monitor	Timer
On/Off	✓	✓	✓
Mode	Auto, Heat, Cool, Dry, Fan Only	✓	✓
Set point	18-29°C	✓	✓
Fan speed	Auto, High, Medium, Low	✓	-
Louvre	Swing, Fix	✓	-
Filter display	Reset	✓	-
Fault code	Reset	Hexadecimal	-
Schedule task	7-day timer with multiple setting features		
Countdown timer	✓	✓	-

Dimensional Drawings



Cool Designs Ltd

Raising the Standards in Air Conditioning Distribution

www.cdlweb.info

