

Toshiba Air Conditioning - RAV-SM Data Sheet

RAV-SM567MUT-E Compact 4-Way Cassette

Features

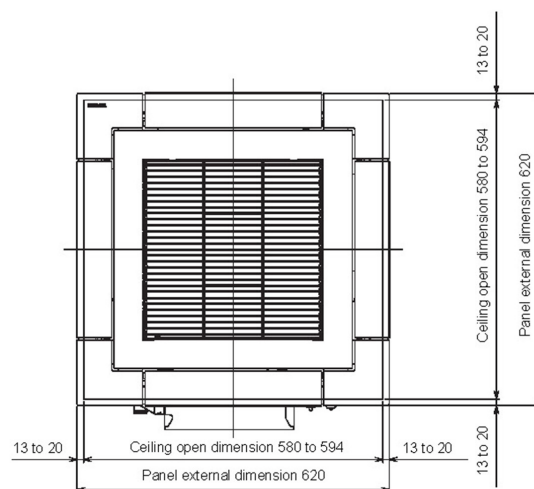
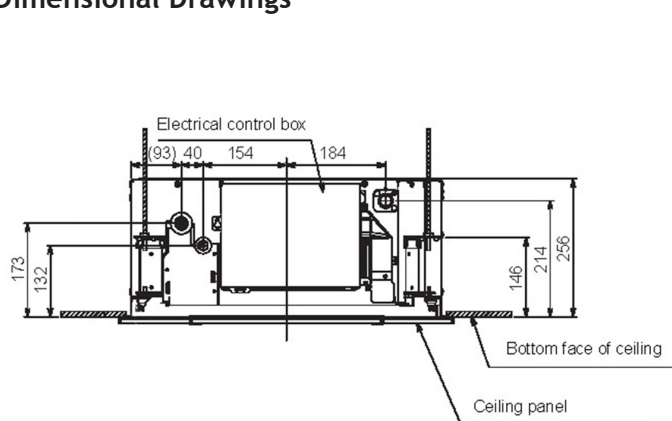
- New elegant flat panel design
- Perfect grid ceiling fitment
- Compact thin chassis
- Individual louvre control
- 5-step air flow control



Technical Data

Model reference		RAV-SM567MUT-E
Nominal cooling	kW	5.0
Nominal heating	kW	5.3
UK cooling	kW	4.80
UK sensible cooling	kW	3.50
UK heating	kW	3.79
Starting current	A	12.50
Running current	A	7.18
Suggested fuse size	A	16
Power supply	V-ph-Hz	220/240-1-50
Interconnecting cable		3 core + earth
Sound power (high/low)	dB(A)	57/50
Sound pressure (high/low)	dB(A)	44/35
Air flow (high/low)	m ³ /h	798/546
Air flow (high/low)	l/s	222/152
Dimensions (H x W x D) - unit/panel	mm	256 x 575 x 575/12 x 600 x 600
Weight- unit/panel	kg	15/2.5
Energy label (cool/heat)		A/A+
EER/COP		3.05/3.61
SEER/SCOP		5.49/4.27
Pipe sizes (liquid-suction)	inch	1/4-1/2

Dimensional Drawings



Cool Designs Ltd

Raising the Standards in Air Conditioning Distribution

www.cdlweb.info

