

## Toshiba Air Conditioning - Controls Data Sheet

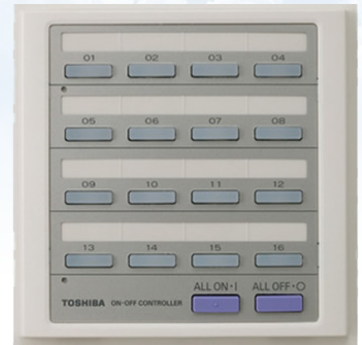
### TCB-CC163TLE2

### “ON/OFF” Central Controller

#### Features

- Compatible with all R410A Digital/Super Digital Inverter and VRF systems\*
- Simple one-touch control for easy operation of individual indoor units or zones ON/OFF command
- One-touch control for ALL indoor units ON/OFF command
- Can be connected to up to 128 indoor units, 16 individual units or 16 zones (8 units per zone)
- Scheduled timer can be connected to enable 7-day timer functions
- Simple and easy-to-use/monitor indoor units ON/OFF function and error output
- Easy connection

\* Not compatible with DI Flexi.



#### Technical Data

<b>Model reference</b>	<b>TCB-CC163TLE2</b>		
Total dimensions (H x W x D)	mm	160 x 160 x 14 (83 total)	
Electrical connection (low voltage)		Screw terminals	
<b>Functions</b>	<b>Setting</b>	<b>Monitor</b>	<b>Timer</b>
On/Off	✓	✓	**
Mode	✗	✗	✗
Set point	✗	✗	✗
Fan speed	✗	✗	✗
Louvre	✗	✗	✗
Filter display	✗	✗	✗
Fault code	Fault indication available via external digital outputs		
Countdown timer	Available via optional scheduled timer TCB-EXS21TLE		
Schedule task	Available via optional scheduled timer TCB-EXS21TLE		

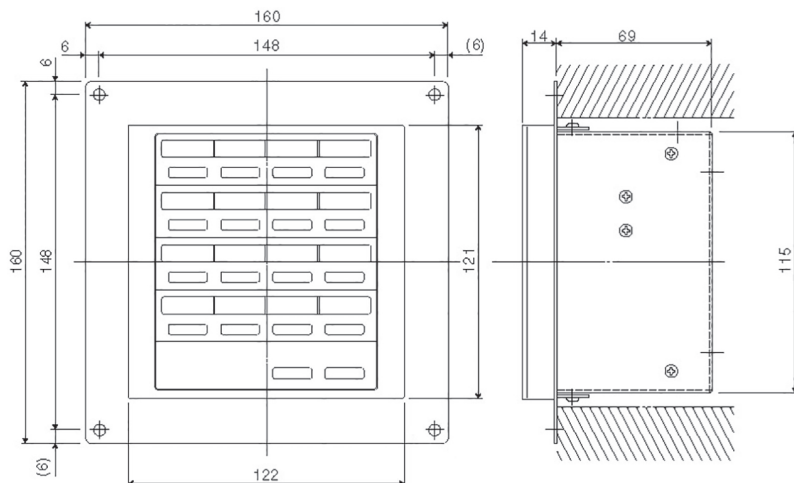
\*\* Feature available via optional timer.

The TCB-CC163TLE2 is designed for panel mounting (panel not supplied) or semi recessing (recess box not supplied), mounting plate supplied.

Optional timer TCB-EXS21TLE connects via CN02 connector at the rear of the unit.

Fault indication is available via terminals B3-B2 at the rear of the unit

#### Dimensional Drawings



### Cool Designs Ltd

Raising the Standards in Air Conditioning Distribution

www.cdlweb.info

