

ceiling



Wireless R.C.

Option



Wired R.C.

Option



Simple
Controller

The ceiling mounted air conditioner from Fujitsu has three easy options for installation with a multi auto-swing, allowing full control over the direction of airflow. Adjustable settings include the high ceiling setting, auto restart and temperature adjustment when cooling / heating.

- Nominal cooling: 8.50kW to 12.10kW (3 models)
- 3 phase options available
- Fully controllable airflow
- Fresh air intake
- Easy installation

Specifications

	Indoor Outdoor				3-Phase Units		
		ABYG30LRTE AOYG30LETL	ABYG36LRTE AOYG36LETL	ABYG45LRTE AOYG45LETL	ABYG36LRTA AOYG36LATT	ABYG45LRTA AOYG45LATT	ABYG54LRTA AOYG54LATT
Nominal Capacity (kW)	Cooling	8.50 (2.80-10.00)	9.40 (2.80-11.20)	12.10 (4.00-13.30)	10.00 (4.70-11.40)	12.50 (5.00-14.00)	14.00 (5.40-16.00)
	Heating	10.00 (2.70-11.20)	11.20 (2.70-12.70)	13.30 (4.20-15.50)	11.20 (5.00-14.00)	14.00 (5.40-16.20)	16.00 (5.80-18.00)
UK Total / Sensible Cooling *		8.53 / 6.20	8.90 / 6.47	11.24 / 8.43	9.08 / 6.53	11.50 / 7.87	12.87 / 8.85
Power Consumption (kW)	Cooling	2.65	2.93	3.77	2.84	3.89	4.65
	Heating	2.77	3.02	3.68	2.87	3.88	4.67
EER / COP (Nominal Conditions)		3.21 / 3.61	3.21 / 3.71	3.21 / 3.61	3.52 / 3.90	3.21 / 3.61	3.01 / 3.43
Pdesign (kW) @ -10°C	Cooling	8.50	9.40	-	10.00	-	-
	Heating	8.00	8.70	-	10.00	-	-
SEER	Cooling	6.10	6.00	-	6.10	-	-
SCOP	Heating (Average)	4.20	4.10	-	4.10	-	-
Energy Efficiency Class	Cooling	A++	A+	-	A++	-	-
	Heating (Average)	A+	A+	-	A+	-	-
Annual Energy Consumption (kWh/a)	Cooling	487	548	-	573	-	-
	Heating	2662	2965	-	3414	-	-
Moisture Removal	l/h	2.50	3.00	4.00	3.00	4.50	5.00
Dimensions (HxWxD) mm	Inner	240x1660x700	240x1660x700	240x1660x700	240x1660x700	240x1660x700	240x1660x700
	Outer	830x900x330	830x900x330	1290x900x330	1290x900x330	1290x900x330	1290x900x330
Net Weight (kg)	Inner	46	46	46	46	46	48
	Outer	61	61	86	104	104	104
Room Air Circulation (high) m3/h	Inner	1660	1900	2100	1900	2100	2300
	Outer	3600	3800	6200	6200	6900	6900
Power Supply	V-PH-Hz	230 / 1 / 50	230 / 1 / 50	230 / 1 / 50	400 / 3 / 50	400 / 3 / 50	400 / 3 / 50
Power Supply To		Outdoor	Outdoor	Outdoor	Outdoor	Outdoor	Outdoor
Running Current (A)	Cooling	11.60	12.80	16.50	4.30	5.80	6.90
	Heating	12.20	13.20	16.10	4.40	5.80	6.90
Starting Current	A	12.20	13.70	22.50	10.00	10.00	10.00
Suggested MCB/Fuse	A	20	25	25	16	16	16
Interconnecting Cable		3 + E	3 + E	3 + E	3 + E	3 + E	3 + E
Remote Control Type		Wireless	Wireless	Wireless	Wireless	Wireless	Wireless
Sound Pressure (dB(A) Cooling)	Indoor Q/L/M/H	32 / 37 / 43 / 45	32 / 37 / 43 / 47	34 / 39 / 45 / 49	32 / 37 / 43 / 47	34 / 39 / 45 / 49	38 / 42 / 48 / 51
	Outdoor H	53	54	55	51	54	55
Sound Power (dB(A) Cooling)	Indoor H	57	60	-	61	-	-
	Outdoor H	68	69	-	67	-	-
Max Pipe Length	m	50	50	50	75	75	75
Max Height Difference	m	30	30	30	30	30	30
Refrigerant Charge	m	20	20	20	30	30	30
Additional Refrigerant Charge	g/m	40	40	40	50	50	50
Pipe Size (inches)	Gas	3/8 (9.52mm)	3/8 (9.52mm)	3/8 (9.52mm)	3/8 (9.52mm)	3/8 (9.52mm)	3/8 (9.52mm)
	Liquid	5/8 (15.88mm)	5/8 (15.88mm)	5/8 (15.88mm)	5/8 (15.88mm)	5/8 (15.88mm)	5/8 (15.88mm)
Operating Range °CDB	Cooling	-15 ~ 46	-15 ~ 46	-15 ~ 46	-15 ~ 46	-15 ~ 46	-15 ~ 46
	Heating	-15 ~ 24	-15 ~ 24	-15 ~ 24	-15 ~ 24	-15 ~ 24	-15 ~ 24
Refrigerant		R410A	R410A	R410A	R410A	R410A	R410A

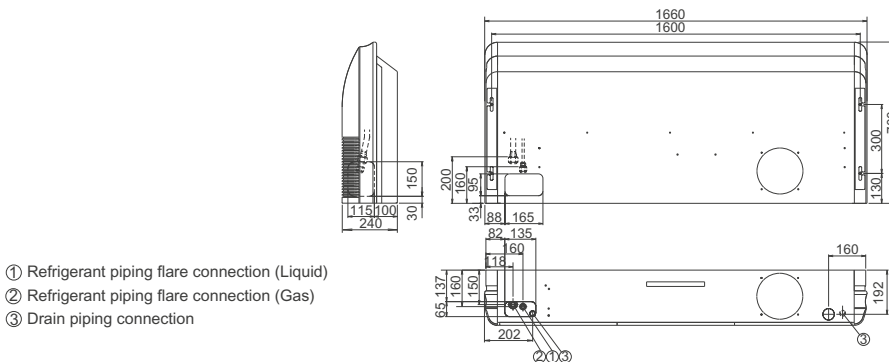
Optional Parts

Wired Remote Controller:	UTYRVNYM
Simple Remote Controller:	UTYRSNYM
Drain Pump Unit	UTRDPB24T
Flange	UTDRF204
External Connect Kit	UTYXWZX
Modus Interface	FJRCMBS1
KNX Interface	FJRCKNX1
WiFi Interface	FJRCWIF1

* UK Cooling: indoor temperature 23°CDB / 16°CWB and outdoor temperature 30°C

Dimensions Models : ABYG30LRTE / ABYG36LRTE / ABYG36LRTA / ABYG45LRTA / ABYG54LRTA

(Unit : mm)



The company reserves the right to make any variation in specification to the equipment described or to withdraw or replace products without prior notification or public announcement. All descriptions, illustrations, drawings and specifications in this publication present only general particulars and shall not form any part of any contract. All equipment and services are supplied subject to FG Eurofred's Terms and Conditions of Sale.

All prices shown exclude VAT.



Fujitsu air conditioning products are available from FG Eurofred and local distributors.

FUJITSU
AIR CONDITIONERS