

## Toshiba Air Conditioning - RAV-SM Data Sheet

### RAV-SM564UTP-E 4-Way Cassette

#### Features

- R22 and R407C replacement technology
- Self-cleaning function
- Lift pump up to 850 mm lift
- Individual setting of louvre position
- Wireless remote control and optional wired remote controller and timer

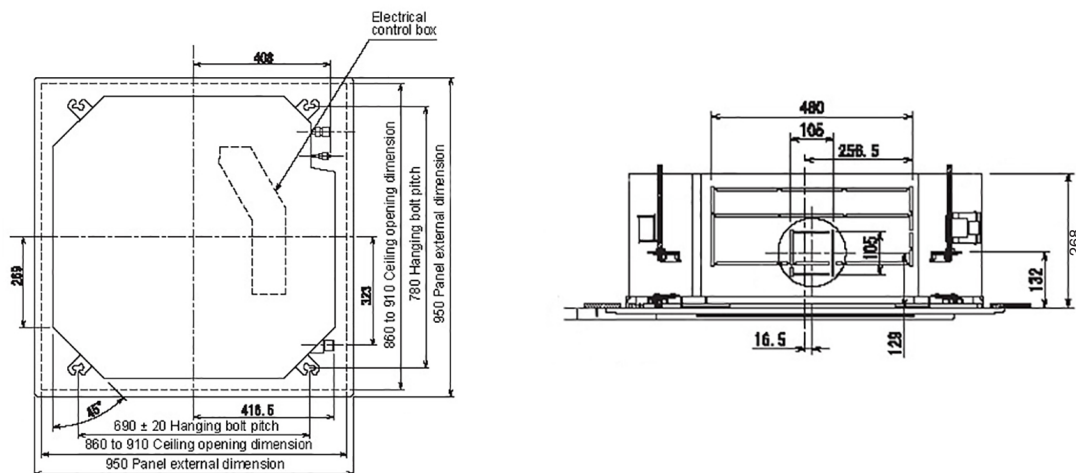


#### Technical Data

Model reference		RAV-SM564UTP-E
Nominal cooling	kW	5.3
Nominal heating	kW	5.6
Annual power consumption (SM/SP*)	kWh	825/735
UK cooling (SM/SP*)	kW	4.9/4.79
UK sensible cooling (SM/SP*)	kW	3.4/3.4
UK heating (SM/SP*)	kW	3.8/3.7
Starting current (SM/SP*)	A	1/1
Running current (SM/SP*)	A	7.89/6.82
Suggested fuse size (SM/SP*)	A	16/16
Power supply	V-ph-Hz	220/240-1-50
Interconnecting cable		3 core + earth
Sound power (high/low)	dB(A)	47/43
Sound pressure (high/low)	dB(A)	32/28
Air flow (high/low)	m <sup>3</sup> /h	1050/780
Air flow (high/low)	l/s	292/217
Dimensions (H x W x D)	mm	268 x 840 x 840
Unit weight	kg	20
Energy label (cool/heat - SM/SP*)	V-ph-Hz	A+/A+ - A++/A+
EER/COP - SM/SP*		3.21/3.89 - 3.61/3.64
SEER/SCOP - SM/SP*		6.14/4.51 - 6.17/4.58
Pipe sizes (liquid-suction)	inch	1/4-1/2
Panel reference		RBC-U31PGP(W)-E

\* Refers to outdoor combination SM = Digital Inverter SP = Super Digital Inverter

#### Dimensional Drawings



### Cool Designs Ltd

Raising the Standards in Air Conditioning Distribution

[www.cdlweb.info](http://www.cdlweb.info)



All UK duties are based on Cooling Indoor air temperature 22°C DB/16°C WB Outdoor air temperature 28°C DB 50% RH, high fan speed, 5 m pipe run.  
Heating Indoor air temperature 20°C DB Outdoor air temperature -5°C DB 100% RH, high fan speed, 5 m pipe run. Values are based on the maximum compressor output.  
Data obtained from Toshiba Air Conditioning Published Data September 2014.