

## Toshiba Air Conditioning - RAV-SM Data Sheet

### RAV-SM1604UTP-E 4-Way Cassette

#### Features

- R22 and R407C replacement technology
- Self-cleaning function
- Lift pump up to 850 mm lift
- Individual setting of louvre position
- Wireless remote control and optional wired remote controller and timer

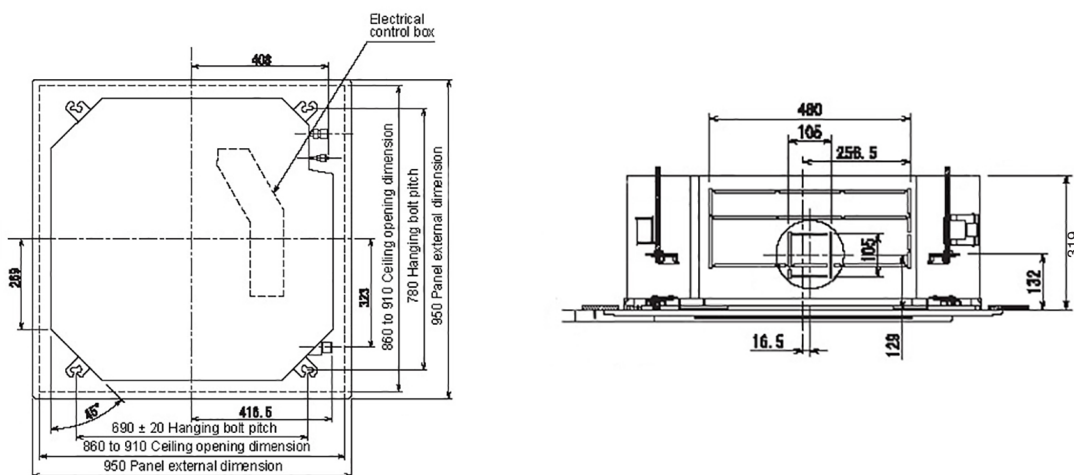


#### Technical Data

| Model reference                   |                   | RAV-SM1604UTP-E       |
|-----------------------------------|-------------------|-----------------------|
| Nominal cooling                   | kW                | 14.0                  |
| Nominal heating                   | kW                | 16.0                  |
| Annual power consumption (SM/SP*) | kW                | 1870/1580             |
| UK cooling (SM/SP*)               | kW                | 13.30/13.50           |
| UK sensible cooling (SM/SP*)      | kW                | 9.4/9.0               |
| UK heating (SM/SP*)               | kW                | 10.45/10.45           |
| Starting current (SM/SP*)         | A                 | 1/1                   |
| Running current (SM/SP*)          | A                 | 21.70/6.66            |
| Suggested fuse size (SM/SP*)      | A                 | 32/16                 |
| Power supply                      | V-ph-Hz           | 220/240-1-50          |
| Interconnecting cable             |                   | 3 core + earth        |
| Sound power (high/low)            | dB(A)             | 60/51                 |
| Sound pressure (high/low)         | dB(A)             | 45/36                 |
| Air flow (high/low)               | m <sup>3</sup> /h | 2130/1260             |
| Air flow (high/low)               | l/s               | 592/350               |
| Dimensions (H x W x D)            | mm                | 319 x 840 x 840       |
| Unit weight                       | kg                | 24                    |
| Energy label (cool/heat - SM/SP*) | V-ph-Hz           | A/A - A/A++           |
| EER/COP - SM/SP*                  |                   | 3.21/3.61 - 3.21/3.72 |
| SEER/SCOP - SM/SP*                |                   | 5.48/4.05 - 5.49/4.73 |
| Pipe sizes (liquid-suction)       | inch              | 3/8-5/8               |
| Panel reference                   |                   | RBC-U31PGP(W)-E       |

\* Refers to outdoor combination SM = Digital Inverter SP = Super Digital Inverter

#### Dimensional Drawings



### Cool Designs Ltd

Raising the Standards in Air Conditioning Distribution

www.cdlweb.info

