

## Toshiba Air Conditioning - RAV-SM Data Sheet

### RAV-SM1404UTP-E 4-Way Cassette

#### Features

- R22 and R407C replacement technology
- Self-cleaning function
- Lift pump up to 850 mm lift
- Individual setting of louvre position
- Wireless remote control and optional wired remote controller and timer

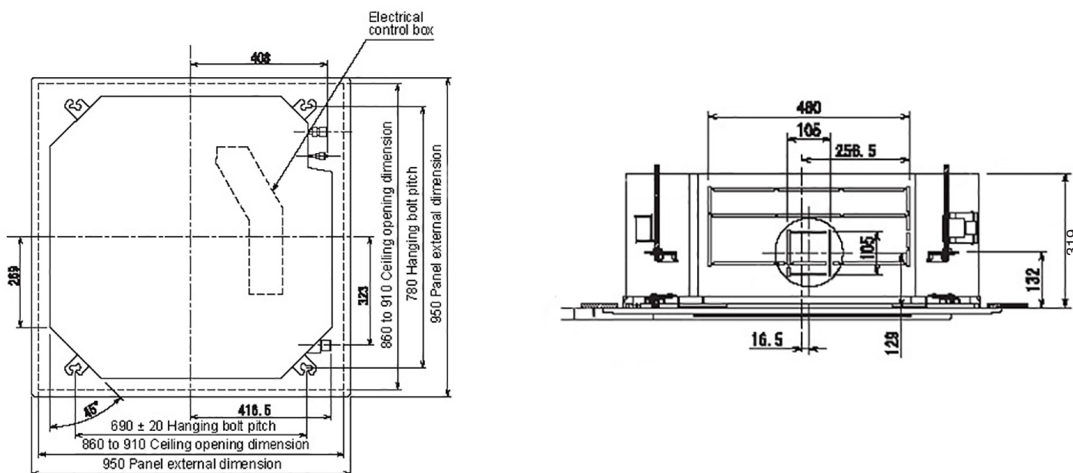


#### Technical Data

Model reference		RAV-SM1404UTP-E
Nominal cooling	kW	12.0
Nominal heating	kW	14.0
Annual power consumption (SM/SP*)	kWh	1870/1580
UK cooling (SM/SP*)	kW	11.30/11.75
UK sensible cooling (SM/SP*)	kW	9.0/9.5
UK heating (SM/SP*)	kW	9.16/9.14
Starting current (SM/SP*)	A	1/1
Running current (SM/SP*)	A	17.81/14.66
Suggested fuse size (SM/SP*)	A	32/25
Power supply	V-ph-Hz	220/240-1-50
Interconnecting cable		3 core + earth
Sound power (high/low)	dB(A)	59/49
Sound pressure (high/low)	dB(A)	44/34
Air flow (high/low)	m <sup>3</sup> /h	2100/1230
Air flow (high/low)	l/s	583/342
Dimensions (H x W x D)	mm	319 x 840 x 840
Unit weight	kg	24
Energy label (cool/heat - SM/SP*)	V-ph-Hz	A/A - A++/A+
EER/COP - SM/SP*		3.21/3.68 - 3.61/4.09
SEER/SCOP - SM/SP*		6.12/4.19 - 5.06/4.43
Pipe sizes (liquid-suction)	inch	3/8-5/8
Panel reference		RBC-U31PGP(W)-E

\* Refers to outdoor combination SM = Digital Inverter SP = Super Digital Inverter

#### Dimensional Drawings



### Cool Designs Ltd

Raising the Standards in Air Conditioning Distribution

www.cdlweb.info



All UK duties are based on Cooling Indoor air temperature 22°C DB/16°C WB Outdoor air temperature 28°C DB 50% RH, high fan speed, 5 m pipe run.  
Heating Indoor air temperature 20°C DB Outdoor air temperature -5°C DB 100% RH, high fan speed, 5 m pipe run. Values are based on the maximum compressor output.  
Data obtained from Toshiba Air Conditioning Published Data September 2014.