



# CIAT - AQUACIAT

## Air-cooled liquid chillers

### AQUACIAT

#### Air-cooled liquid chillers

#### Features

- Screwed connection sleeves as standard.
- Anti-vibration mounts as standard.
- Micro Channel Heat Exchanger (MCHE).
- Connect Touch controller as standard.



#### Technical Data

AQUACIAT chiller model		LD0150A	LD0180A	LD0200A	LD0240A	LD0260A	LD0300A
Nominal capacity*	kW	40	44	51	58	67	79
EER	kW/kW	2.87	2.76	2.67	2.66	2.72	2.7
ESEER	kW/kW	3.75	3.88	3.95	3.8	3.62	3.67
Eurovent class		C	C	D	D	C	C
Sound power**	dB(A)	80	81	81	81	87	87
Sound pressure at 10 m***	dB(A)	49	49	49	49	55	55
Sound power extra low noise option**	dB(A)	79	80	80	80	80	80
Sound pressure at 10 m extra low noise option***	dB(A)	48	48	48	48	48	48
Width x length	mm	2109 x 1090	2109 x 1090	2109 x 1090	2109 x 1090	2109 x 1090	2109 x 1090
Height (with buffer tank)	mm	1440 (2040)	1440 (2040)	1440 (2040)	1440 (2040)	1440 (2040)	1440 (2040)
Weight - standard unit	kg	422	430	436	449	445	463
Compressors	Scroll	2	2	2	2	2	2
Minimum output	%	50	50	50	50	50	50
Maximum total air flow	l/s	3885	3883	3687	3908	5013	5278
Part Number		7490506	7490507	7490508	7490509	7490510	7490511
Part Number with AquaPack****		7490506-AP	7490507-AP	7490508-AP	7490509-AP	7490510-AP	7490511-AP

AQUACIAT chiller model		LD0360A	LD0390A	LD0450A	LD0520A	LD0600A
Nominal capacity*	kW	87	97	114	135	156
EER	kW/kW	2.73	2.73	2.67	2.7	2.65
ESEER	kW/kW	3.91	3.94	3.83	3.68	3.87
Eurovent class		C	C	D	C	D
Sound power**	dB(A)	84	84	84	90	90
Sound pressure at 10 m***	dB(A)	52	52	52	58	58
Sound power extra low noise option**	dB(A)	83	83	83	83	83
Sound pressure at 10 m extra low noise option***	dB(A)	51	51	51	51	51
Width x length	mm	2123 x 2270	2123 x 2270	2123 x 2270	2123 x 2270	2123 x 2270
Height (with buffer tank)	mm	1440 (2040)	1440 (2040)	1440 (2040)	1440 (2040)	1440 (2040)
Weight - standard unit	kg	753	762	771	829	854
Compressors	Scroll	3	3	3	2 + 2	2 + 2
Minimum output	%	33	33	33	25	25
Maximum total air flow	l/s	6940	6936	7370	10026	10556
Part Number		7490512	7490513	7490514	7490515	7490516
Part Number with AquaPack****		7490512-AP	7490513-AP	7490514-AP	7490515-AP	7490516-AP

\* Cooling mode conditions: water inlet/outlet temperature 12°C/7°C, ambient 35°C.

\*\* In dB ref = 10<sup>-12</sup> W, 'A' weighted. Measured in accordance with ISO 9614-1.

\*\*\* In dB ref 20 uPa, 'A' weighted. For information, calculated from the sound power level Lw(A).

Declared dual number noise emission values in accordance with ISO 4871 (with an associated uncertainty of ±3 dB(A). Values are guidelines only. Refer to the unit name plate.

\*\*\*\* AquaPack includes: hydronic module 116r, expansion tank 293, water buffer tank module 307, exchanger water filter 310A).

## Cool Designs Ltd

Raising the Standards in Air Conditioning Distribution

www.cdlweb.info





# CIAT - AQUACIAT

## Air-cooled liquid chillers

### AQUACIAT

#### Air-cooled liquid chillers



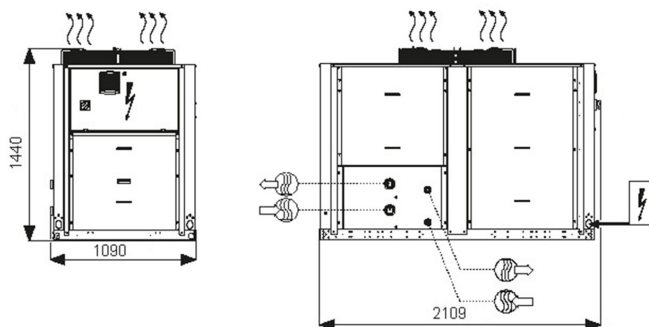
#### Accessories

Description	Part Number
Extra fan (180 to 240 mmCE available)*	12_1
Extra low noise (1 to 6 dB(A) depending on model)*	15LS_1
Protection grille for condenser coil	23
Soft Start	25
All year -20 °C operation*	28_1
Water exchanger frost protection*	42
Exchanger and hydraulic frost protection	42B
Master/slave operation	58
Hydraulic module (fixed-speed single pump) HP	116R
Hydraulic module (fixed-speed dual pump) HP	116S
Hydraulic module (fixed-speed single pump) LP	116T
Hydraulic module (fixed-speed dual pump) LP	116U
Hydraulic module (variable-speed single pump) HP	116V
Hydraulic module (variable-speed dual pump) HP	116W
BACnet over IP	149
MCHE anti-corrosion protect 2 (light corrosion)	262_1
MCHE anti-corrosion protect 4 (harsh corrosion)	263_1
Reinforced ECM filtration for pump VFD	282B
Expansion tank	293
Water buffer tank module	307
Exchanger flexible sleeve connections	309A
Exchanger water filter	310A
Set point adjustment by 4-20 mA signal	311
Free cooling dry management for Opera or Vextra	313

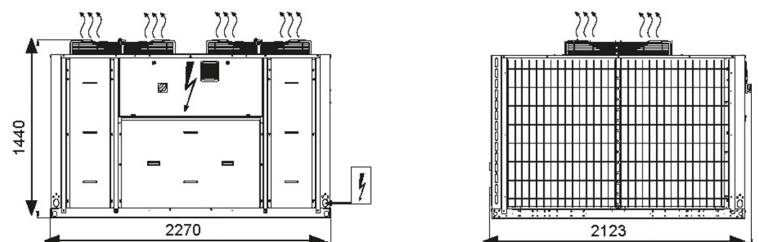
\* Not available with some options.

#### Dimensional Drawings

AQUACIAT LD150A - LD300A



AQUACIAT LD360A - LD600A



Cool Designs Ltd

Raising the Standards in Air Conditioning Distribution

www.cdlweb.info

